

Economical Highbay for Warehousing

Cost-effective design ideal for warehousing and storage facilities

Best-in-class luminaire efficacy for reduced energy costs

Uniform 90° distribution pattern ensures consistent illumination

Wide wattage range from 80W to 200W for flexible use

LED Highbays BAYLITE



Product Features

Efficacy 120 Lumens/Watt

Microwave Sensor Option(Non-Integral)

CCT : 5700K

CRI : >70

Beam Angle : 60°/90°

Spiral Lens

High Quality Aluminium Die Cast

Highly Efficient SMD LED chips

IP Protection : IP66, IK08

External additional surge protection : Optional 10kV

Rated life (LM 80) : 50,000 hrs

Wattage tolerance = ±5%

While this catalogue serves as a general guide, specifications and availability may change. Please verify with **THINK** for the latest updates.

BAYLITE TECHNICAL DATA



Rated input voltage : 240V AC, 50Hz

Operating input voltage : 100-300V AC, 50Hz

Operating Temperature : -10°C to +45°C

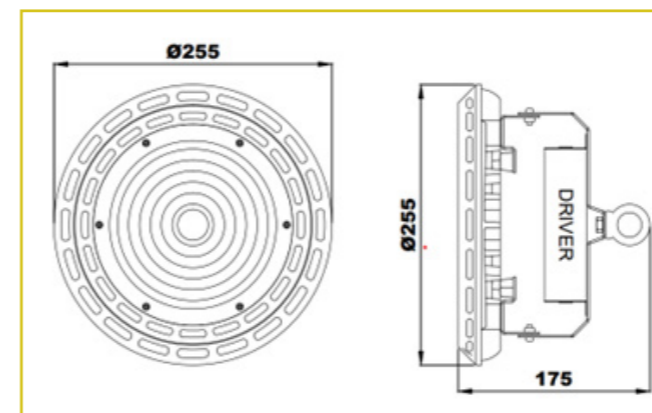
Power factor : >0.90

A-THD : <10%

Driver type : Non Dim, Isolated, Service Life 30,000 Hours at max. temperature

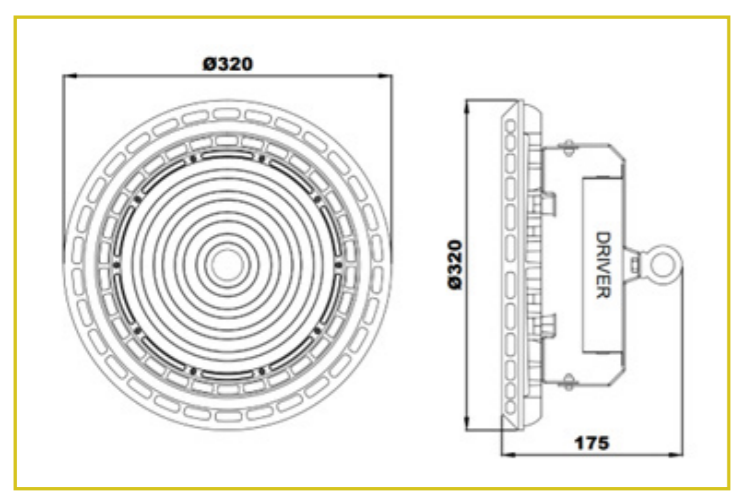
Inbuilt surge protection : CM - DM : 4kV/6kV

BAYLITE 80W - 100W



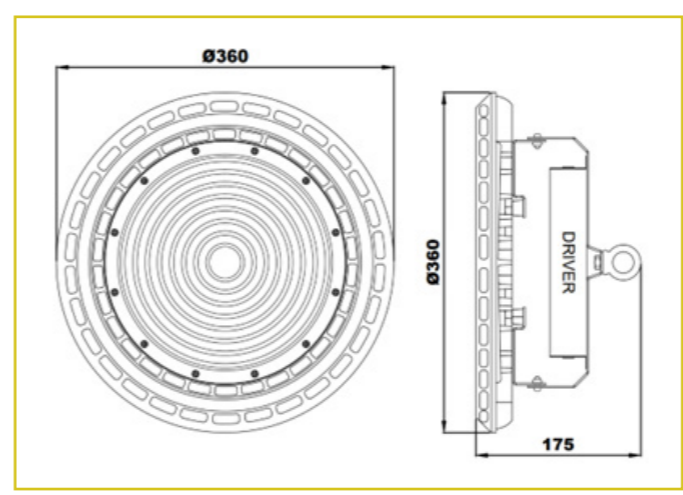
MODEL NO. & DESCRIPTION	WATTAGE	CRI	CCT	TOTAL LUMENS	SPD
TFTHL 80W BAYLITE	80W	70+	5700K	9600 LUMENS	OPTIONAL : EXTERNAL
TFTHL 100W BAYLITE	100W	70+	5700K	12000 LUMENS	OPTIONAL : EXTERNAL

BAYLITE 120W - 150W



MODEL NO. & DESCRIPTION	WATTAGE	CRI	CCT	TOTAL LUMENS	SPD
TFTHL 120W BAYLITE	120W	70+	5700K	14400 LUMENS	OPTIONAL : EXTERNAL
TFTHL 150W BAYLITE	150W	70+	5700K	18000 LUMENS	OPTIONAL : EXTERNAL

BAYLITE 180W - 200W



MODEL NO. & DESCRIPTION	WATTAGE	CRI	CCT	TOTAL LUMENS	SPD
TFTHL 180W BAYLITE	180W	70+	5700K	21600 LUMENS	OPTIONAL : EXTERNAL
TFTHL 200W BAYLITE	200W	70+	5700K	24000 LUMENS	OPTIONAL : EXTERNAL

Wattage tolerance = ±5%
While this catalogue serves as a general guide, specifications and availability may change. Please verify with **THNK** for the latest updates.