

Economical Outdoor Floodlight

Wattage range from 20W to 250W for versatile outdoor use

Wide 120° beam angle for uniform general lighting

Glass design without lens for simple, effective illumination

IP66 and IK08 protection ensures durability and reliability

LED Floodlights FLOODFORCE



Product Features

Efficacy 120+ Lumens/Watt

CCT : 5700K

CRI : >70

Beam Angle : 120°

Toughened Glass

High Quality Aluminium Die Cast

Highly Efficient SMD LED chips

IP Protection : IP66, IK08

External additional surge protection : Optional 10kV

Rated life (LM 80) : 50,000 hrs

Wattage tolerance = ±5%

While this catalogue serves as a general guide, specifications and availability may change. Please verify with **THINK** for the latest updates.

FLOODFORCE TECHNICAL DATA



Rated input voltage : 240V AC, 50Hz

Operating input voltage : 100-300V AC, 50Hz

Operating Temperature : -10°C to +45°C

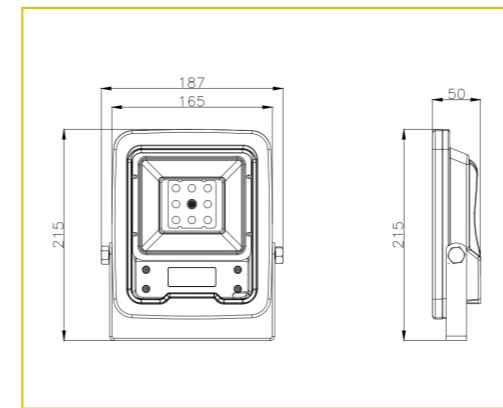
Power factor : >0.90

A-THD : <10%

Driver type : Non Dim, Isolated, Service Life 30,000 Hours at max. temperature

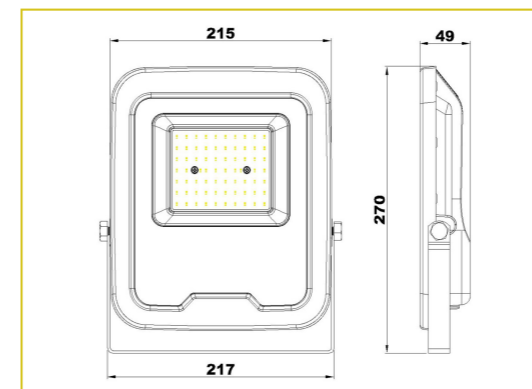
Inbuilt surge protection : CM - DM : 4kV/6kV

FLOODFORCE 20W - 30W



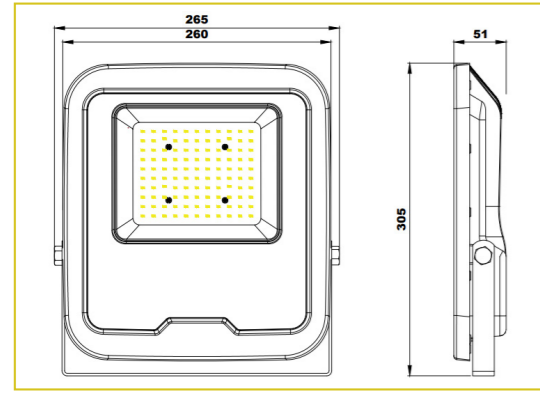
MODEL NO. & DESCRIPTION	WATTAGE	CRI	CCT	TOTAL LUMENS	SPD
TFTHL 20W FLOODFORCE	20W	70+	5700K	2400 LUMENS	OPTIONAL : EXTERNAL
TFTHL 30W FLOODFORCE	30W	70+	5700K	3600 LUMENS	OPTIONAL : EXTERNAL

FLOODFORCE 50W



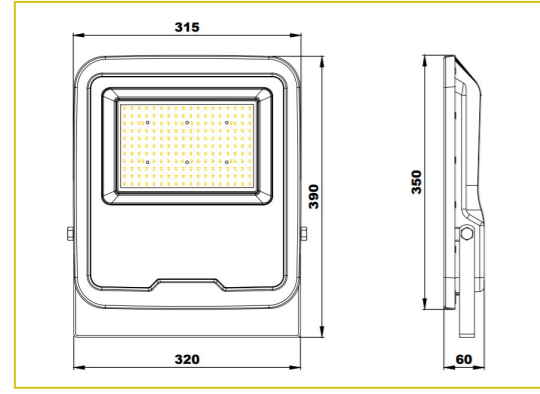
MODEL NO. & DESCRIPTION	WATTAGE	CRI	CCT	TOTAL LUMENS	SPD
TFTHL 50W FLOODFORCE	50W	70+	5700K	6000 LUMENS	OPTIONAL : EXTERNAL

FLOODFORCE 80W - 100W



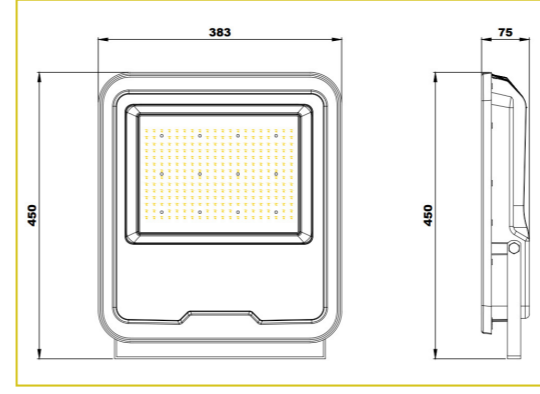
MODEL NO. & DESCRIPTION	WATTAGE	CRI	CCT	TOTAL LUMENS	SPD
TFTHL 80W FLOODFORCE	80W	70+	5700K	9600 LUMENS	INBUILT 10KV
TFTHL 100W FLOODFORCE	100W	70+	5700K	12000 LUMENS	INBUILT 10KV

FLOODFORCE 120W - 200W



MODEL NO. & DESCRIPTION	WATTAGE	CRI	CCT	TOTAL LUMENS	SPD
TFTHL 120W FLOODFORCE	120W	70+	5700K	14400 LUMENS	INBUILT 10KV
TFTHL 150W FLOODFORCE	150W	70+	5700K	18000 LUMENS	INBUILT 10KV
TFTHL 180W FLOODFORCE	180W	70+	5700K	21600 LUMENS	INBUILT 10KV
TFTHL 200W FLOODFORCE	200W	70+	5700K	24000 LUMENS	INBUILT 10KV

FLOODFORCE 250W



MODEL NO. & DESCRIPTION	WATTAGE	CRI	CCT	TOTAL LUMENS	SPD
TFTHL 250W FLOODFORCE	250W	70+	5700K	30000 LUMENS	INBUILT 10KV

Wattage tolerance = ±5%
While this catalogue serves as a general guide, specifications and availability may change. Please verify with **THNK** for the latest updates.