

**High-Performance Floodlight**

IP66 and IK08 protection for durability in demanding outdoor conditions

High lumen efficacy with a wide range of distribution patterns

Glass-with-lens design ensures superior light quality and control

Advanced heat sink for long-lasting efficiency and performance

# LED Floodlights FLOODPRO



**Product Features**

Efficacy 120+ Lumens/Watt

CCT : 5700K

CRI : >70

Beam Angle : 30°/60°/90°

Lens + Glass / Only Glass Option

High Quality Aluminium Die Cast

Highly Efficient 5050 SMD LED chips

IP Protection : IP66, IK08

External additional surge protection : Optional 10kV

Rated life (LM 80) : 50,000 hrs

Wattage tolerance = ±5%

While this catalogue serves as a general guide, specifications and availability may change. Please verify with **THINK** for the latest updates.

## FLOODPRO TECHNICAL DATA



Rated input voltage : 240V AC, 50Hz

Operating input voltage : 100-300V AC, 50Hz

Operating Temperature : -10°C to +45°C

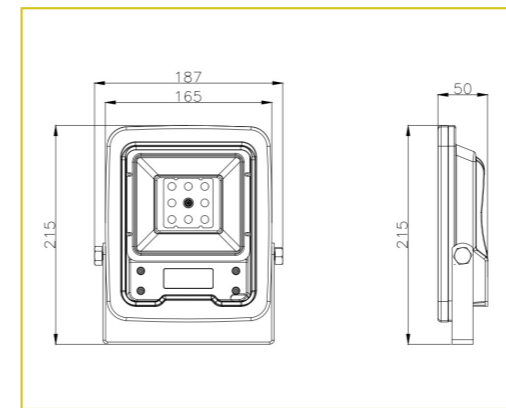
Power factor : >0.90

A-THD : <10%

Driver type : Non Dim, Isolated, Service Life 30,000 Hours at max. temperature

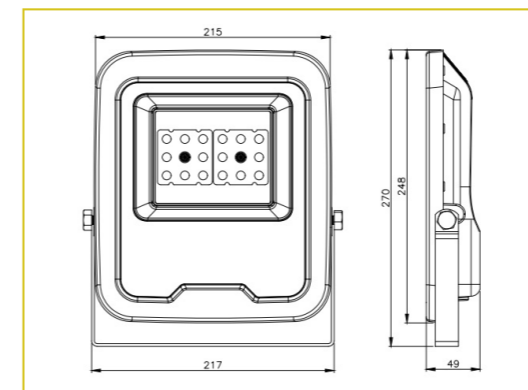
Inbuilt surge protection : CM - DM : 4kV/6kV

## FLOODPRO 20W - 30W



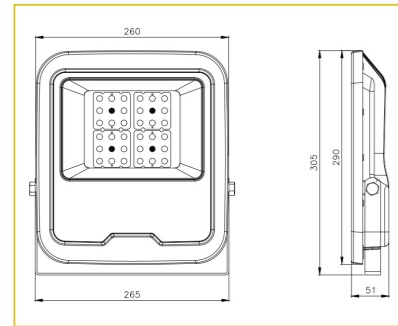
MODEL NO. & DESCRIPTION	WATTAGE	CRI	CCT	TOTAL LUMENS	SPD
TFTHL 20W FLOODPRO	20W	70+	5700K	2600 LUMENS	OPTIONAL : EXTERNAL
TFTHL 30W FLOODPRO	30W	70+	5700K	3900 LUMENS	OPTIONAL : EXTERNAL

## FLOODPRO 50W



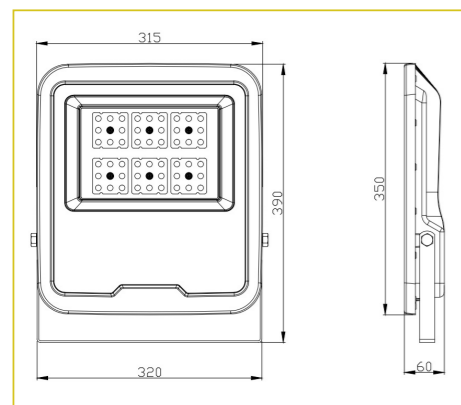
MODEL NO. & DESCRIPTION	WATTAGE	CRI	CCT	TOTAL LUMENS	SPD
TFTHL 50W FLOODPRO	50W	70+	5700K	6500 LUMENS	OPTIONAL : EXTERNAL

# FLOODPRO 80W - 100W



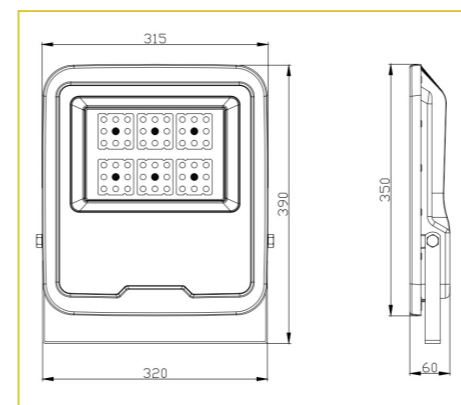
MODEL NO. & DESCRIPTION	WATTAGE	CRI	CCT	TOTAL LUMENS	SPD
TFTHL 80W FLOODPRO	80W	70+	5700K	10400 LUMENS	INBUILT 10KV
TFTHL 100W FLOODPRO	100W	70+	5700K	13000 LUMENS	INBUILT 10KV

# FLOODPRO 120W - 200W



MODEL NO. & DESCRIPTION	WATTAGE	CRI	CCT	TOTAL LUMENS	SPD
TFTHL 120W FLOODPRO	120W	70+	5700K	15600 LUMENS	INBUILT 10KV
TFTHL 150W FLOODPRO	150W	70+	5700K	19500 LUMENS	INBUILT 10KV
TFTHL 180W FLOODPRO	180W	70+	5700K	23400 LUMENS	INBUILT 10KV
TFTHL 200W FLOODPRO	200W	70+	5700K	26000 LUMENS	INBUILT 10KV

# FLOODPRO 250W



MODEL NO. & DESCRIPTION	WATTAGE	CRI	CCT	TOTAL LUMENS	SPD
TFTHL 250W FLOODPRO	250W	70+	5700K	32500 LUMENS	INBUILT 10KV

Wattage tolerance = ±5%  
 While this catalogue serves as a general guide, specifications and availability may change. Please verify with **THNK** for the latest updates.