

Economical Streetlight

Cost-effective design for basic roadway and street lighting

High luminaire efficacy ensures energy savings

Wide wattage range for varied street applications

Reliable IP66 and IK08 protection for outdoor durability

LED Streetlights ROADLITE



Product Features

Efficacy 100 Lumens/Watt

CCT : 5700K

CRI : >70

Beam Angle : Type II Batwing

Direct Lens Model

High Quality Aluminium Die Cast

Highly Efficient SMD LED chips

IP Protection : IP65, IK08

External additional surge protection : Optional 10kV

Rated life (LM 80) : 50,000 hrs

Wattage tolerance = ±5%

While this catalogue serves as a general guide, specifications and availability may change. Please verify with **THINK** for the latest updates.

ROADLITE TECHNICAL DATA



Rated input voltage : 240V AC, 50Hz

Operating input voltage : 100-300V AC, 50Hz

Operating Temperature : -10°C to +45°C

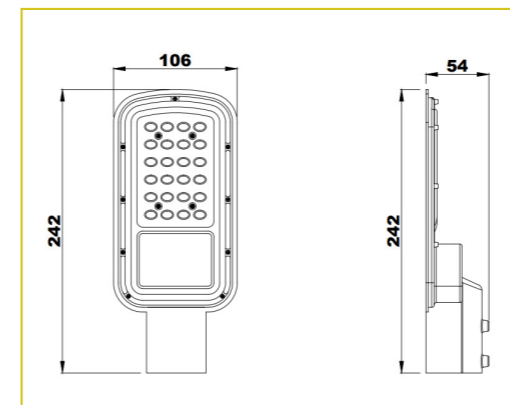
Power factor : >0.90

A-THD : <10%

Driver type : Non Dim, Isolated, Service Life 30,000 Hours at max. temperature

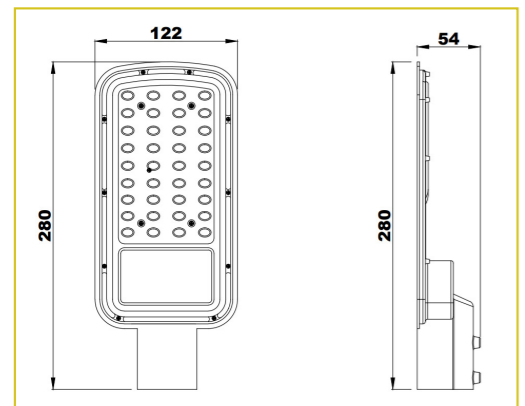
Inbuilt surge protection : CM - DM : 4kV/6kV

ROADLITE 18W - 25W



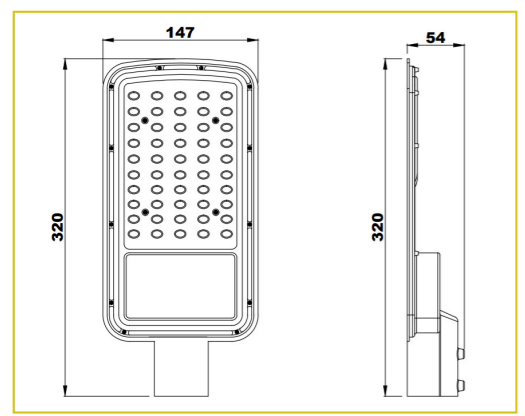
MODEL NO. & DESCRIPTION	WATTAGE	CRI	CCT	TOTAL LUMENS	SPD
TSL 18W ROADLITE	18W	70+	5700K	1800 LUMENS	OPTIONAL : EXTERNAL
TSL 20W ROADLITE	20W	70+	5700K	2000 LUMENS	OPTIONAL : EXTERNAL
TSL 25W ROADLITE	25W	70+	5700K	2500 LUMENS	OPTIONAL : EXTERNAL

ROADLITE 30W - 35W



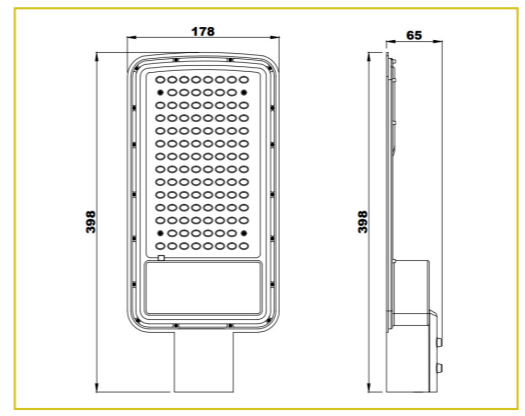
MODEL NO. & DESCRIPTION	WATTAGE	CRI	CCT	TOTAL LUMENS	SPD
TSL 30W ROADLITE	30W	70+	5700K	3000 LUMENS	OPTIONAL : EXTERNAL
TSL 35W ROADLITE	35W	70+	5700K	3500 LUMENS	OPTIONAL : EXTERNAL

ROADLITE 45W



MODEL NO. & DESCRIPTION	WATTAGE	CRI	CCT	TOTAL LUMENS	SPD
TSL 45W ROADLITE	45W	70+	5700K	4500 LUMENS	OPTIONAL : EXTERNAL

ROADLITE 60W - 100W



MODEL NO. & DESCRIPTION	WATTAGE	CRI	CCT	TOTAL LUMENS	SPD
TSL 60W ROADLITE	60W	70+	5700K	6000 LUMENS	INBUILT 10KV
TSL 75W ROADLITE	75W	70+	5700K	7500 LUMENS	INBUILT 10KV
TSL 90W ROADLITE	90W	70+	5700K	9000 LUMENS	INBUILT 10KV
TSL 100W ROADLITE	100W	70+	5700K	10000 LUMENS	INBUILT 10KV

Wattage tolerance = ±5%
While this catalogue serves as a general guide, specifications and availability may change. Please verify with **THNK** for the latest updates.