

**Professional Streetlight**

Premium-grade streetlight engineered for highways and city avenues

Precision optics deliver uniform illumination and glare control

High luminaire efficacy with long operational life

Rugged IP66 and IK08 construction ensures reliability in demanding conditions

# LED Streetlights ROADPRO



**Product Features**

Efficacy 110 Lumens/Watt

CCT : 5700K

CRI : >70

Beam Angle : Type II Batwing

Lens+Glass Model

High Quality Aluminium Die Cast

Highly Efficient SMD LED chips

IP Protection : IP65, IK08

External additional surge protection : Optional 10kV

Rated life (LM 80) : 50,000 hrs

Wattage tolerance = ±5%

While this catalogue serves as a general guide, specifications and availability may change. Please verify with **THINK** for the latest updates.

# ROADPRO TECHNICAL DATA



Rated input voltage : 240V AC, 50Hz

Operating input voltage : 100-300V AC, 50Hz

Operating Temperature : -10°C to +45°C

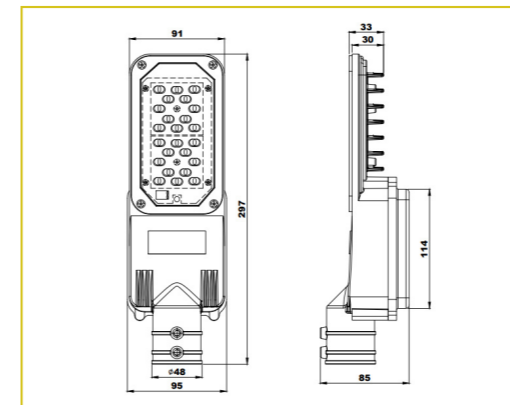
Power factor : >0.90

A-THD : <10%

Driver type : Non Dim, Isolated, Service Life 30,000 Hours at max. temperature

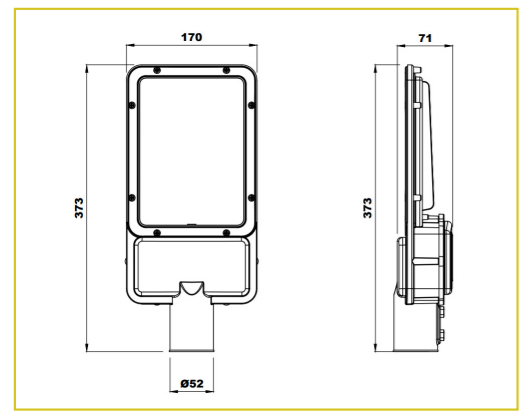
Inbuilt surge protection : CM - DM : 4kV/6kV

# ROADPRO 18W - 45W



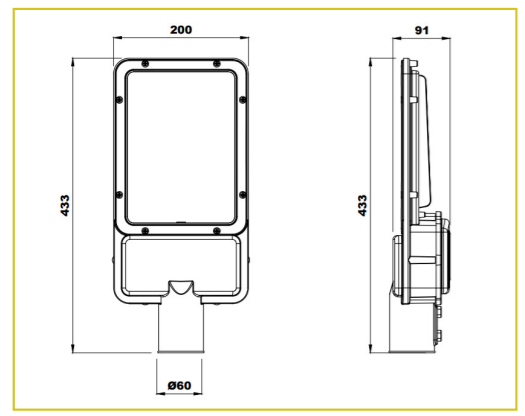
MODEL NO. & DESCRIPTION	WATTAGE	CRI	CCT	TOTAL LUMENS	SPD
TSL 18W ROADPRO	18W	70+	5700K	1980 LUMENS	OPTIONAL : EXTERNAL
TSL 20W ROADPRO	20W	70+	5700K	2200 LUMENS	OPTIONAL : EXTERNAL
TSL 25W ROADPRO	25W	70+	5700K	2750 LUMENS	OPTIONAL : EXTERNAL
TSL 30W ROADPRO	30W	70+	5700K	3300 LUMENS	OPTIONAL : EXTERNAL
TSL 35W ROADPRO	35W	70+	5700K	3850 LUMENS	OPTIONAL : EXTERNAL
TSL 45W ROADPRO	45W	70+	5700K	4950 LUMENS	OPTIONAL : EXTERNAL

# ROADPRO 60W - 90W



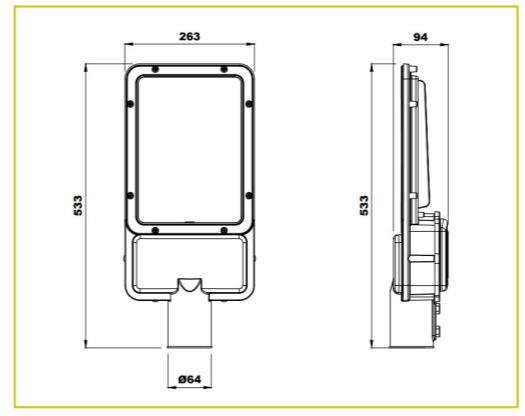
MODEL NO. & DESCRIPTION	WATTAGE	CRI	CCT	TOTAL LUMENS	SPD
TSL 60W ROADPRO	60W	70+	5700K	6600 LUMENS	INTERNAL
TSL 75W ROADPRO	75W	70+	5700K	8250 LUMENS	INTERNAL
TSL 90W ROADPRO	90W	70+	5700K	9900 LUMENS	INTERNAL

# ROADPRO 100W - 150W



MODEL NO. & DESCRIPTION	WATTAGE	CRI	CCT	TOTAL LUMENS	SPD
TSL 100W ROADPRO	100W	70+	5700K	11000 LUMENS	INTERNAL
TSL 120W ROADPRO	120W	70+	5700K	13200 LUMENS	INTERNAL
TSL 150W ROADPRO	150W	70+	5700K	16500 LUMENS	INTERNAL

# ROADPRO 180W - 250W



MODEL NO. & DESCRIPTION	WATTAGE	CRI	CCT	TOTAL LUMENS	SPD
TSL 180W ROADPRO	180W	70+	5700K	19800 LUMENS	INTERNAL
TSL 200W ROADPRO	200W	70+	5700K	22000 LUMENS	INTERNAL
TSL 220W ROADPRO	220W	70+	5700K	24200 LUMENS	INTERNAL
TSL 250W ROADPRO	250W	70+	5700K	27500 LUMENS	INTERNAL

Wattage tolerance = ±5%  
 While this catalogue serves as a general guide, specifications and availability may change. Please verify with **THNK** for the latest updates.