

**Outdoor Spikelight**

Sleek ground-mounted design ideal for landscapes, gardens, and pathways

Flexible spike installation ensures easy positioning and adjustment

Available in various wattages and beam angles for tailored illumination

Durable construction with outdoor protection for long-term reliability

# LED Spikelights TERRA



**Product Features**

- CCT : 3000K
- CRI : >95
- Beam Angle : 24°/36°/60°
- Honeycomb Louvre Option
- High Quality Aluminium Body
- Highly Efficient COBs
- IP Protection : IP65, IK08
- External additional surge protection : Optional 10kV
- Rated life (LM 80) : 50,000 hrs

Wattage tolerance = ±5%  
While this catalogue serves as a general guide, specifications and availability may change. Please verify with **THINK** for the latest updates.

## TERRA TECHNICAL DATA

IP  
65

BIS

Class I

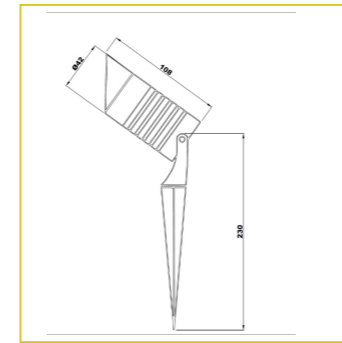
RoHS

50000  
hours  
Lifetime

3  
YEARS  
WARRANTY

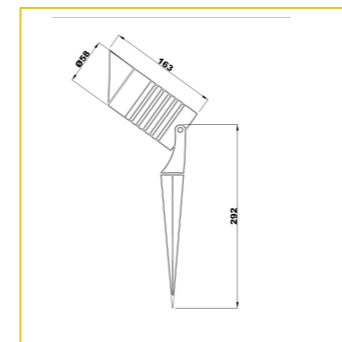
Rated input voltage : 240V AC, 50Hz  
 Operating input voltage : 100-300V AC, 50Hz  
 Operating Temperature : -10°C to +45°C  
 Power factor : >0.90  
 A-THD : <10%  
 Driver type : Non Dim, Isolated, Service Life 30,000 Hours at max. temperature  
 Inbuilt surge protection : CM - DM : 4kV/6kV

## TERRA 3W



MODEL NO. & DESCRIPTION	WATTAGE	CRI	CCT	SPD	DRIVER
TSL 3W TERRA	3W	95+	3000K	OPTIONAL : EXTERNAL	EXTERNAL

## TERRA 5W - 12W



MODEL NO. & DESCRIPTION	WATTAGE	CRI	CCT	SPD	DRIVER
TSL 5W TERRA	5W	95+	3000K	OPTIONAL : EXTERNAL	INTERNAL/EXTERNAL
TSL 7W TERRA	7W	95+	3000K	OPTIONAL : EXTERNAL	INTERNAL/EXTERNAL
TSL 12W TERRA	12W	95+	3000K	OPTIONAL : EXTERNAL	INTERNAL/EXTERNAL