

Outdoor Pathway Lighting

Elegant design ideal for pathways, gardens, and landscape applications

Provides uniform illumination to enhance safety and ambience

Available in various heights, wattages, and finishes to suit design needs

Durable IP-rated construction for reliable outdoor performance

LED Bollards DOME



Product Features

CCT : 3000K

CRI : >95

Beam Angle : Diffused

High Quality Aluminium Die Cast

Highly Efficient SMD LED chips

IP Protection : IP65, IK08

Surge Protection : 10kV

Rated life (LM 80) : 50,000 hrs

Wattage tolerance = ±5%

While this catalogue serves as a general guide, specifications and availability may change. Please verify with **THINK** for the latest updates.

DOME TECHNICAL DATA



Rated input voltage : 240V AC, 50Hz

Operating input voltage : 100-300V AC, 50Hz

Operating Temperature : -10°C to +45°C

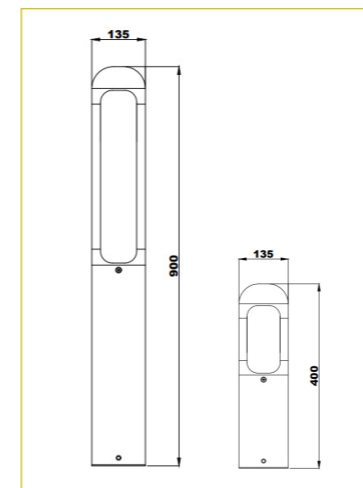
Power factor : >0.90

A-THD : <10%

Driver type : Non Dim, Isolated, Service Life 30,000 Hours at max. temperature

Inbuilt surge protection : CM - DM : 4kV

DOME 5W - 12W



MODEL NO. & DESCRIPTION	WATTAGE	CRI	CCT	SPD	DRIVER
TSL 5W DOME	5W	95+	3000K	10KV INTERNAL	INTERNAL
TSL 7W DOME	7W	95+	3000K	10KV INTERNAL	INTERNAL
TSL 12W DOME	12W	95+	3000K	10KV INTERNAL	INTERNAL

