



THINK

PRODUCT CATALOGUE 25-26

Welcome to **THINK**

Where every light tells a story.

At Think, light is deeply personal. It shapes how we feel, how we work, and how we experience the spaces around us. That belief drives everything we do.

For us, lighting is not just about engineering excellence — it's about emotion, comfort, and connection. Every luminaire we create is designed to bring a sense of warmth, clarity, and purpose to the environments it illuminates.

Over the past five decades, we've built more than just products — we've built trust. From our in-house manufacturing facilities to our rigorous design process, every Think product carries the assurance of precision, performance, and passion.

We take pride in transforming simple moments into extraordinary experiences - whether it's the calm focus of a workspace, the quiet drama of a facade, or the subtle glow that defines an architectural masterpiece.

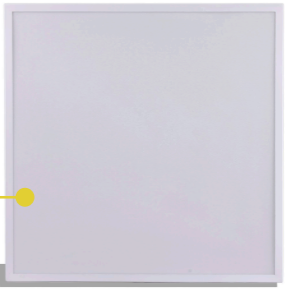
At Think, light isn't just what we make - it's what moves us.

CONTENTS

2 LED Downlights



28 LED Workspace Lighting



34 LED Highbays



39 LED Floodlights



49 LED Streetlights



56 LED Well Glass



58 LED Spikelights



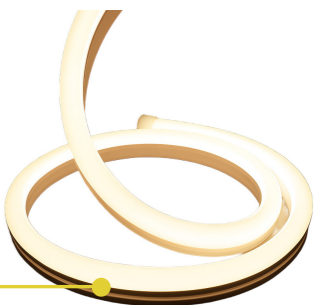
60 LED Bollards



64 LED Wall Lights



71 LED Flexible Strips



LED Downlights



Versatile Premium Downlight

Tiltable option for precise light direction

Wide range of beam angles and baffle colors for customized effects

Multiple applications: wallwasher, pinhole, and more

Variety of models and wattages: trim, trimless, square, single, twin, slim

LED Downlights SIRIUS



Product Features

Tilt angle : 30°
CCT : 2700K/3000K/3500K/4000K/
5000K/6500K/Tunable White/Dim to Warm
CRI : >80/>90/>95
Beam angle : 15°/24°/36°/55°
Heatsink colour : Grey
Outer trim colour : White/Black
Baffle colour : White/Matte Black/Piano Black/
Gold/Rose Gold/Chrome/Silver

Baffle options : Pinhole/Ellipse/Wall Washer
(available for the round series & slim series)
Louvre options : Honeycomb/Single
Asymmetric/Double Asymmetric/Linear
Material : Aluminium Die Casting
Mounting : Recessed (Trim/Trimless)
Dimming Options : TRIAC, DALI-2 DT6/DT8
IP Protection : IP20
External additional surge protection : Optional 10kV
Rated life (LM 80) : 50,000 hrs

NA : Option not available in trimless design. Wattage tolerance = ±5%
While this catalogue serves as a general guide, specifications and availability may change. Please verify with **THINK** for the latest updates.

SIRIUS TECHNICAL DATA



Rated input voltage : 240V AC, 50Hz
Operating input voltage : 100-300V AC, 50Hz
Operating Temperature : -10°C to +45°C
Power factor : >0.90
A-THD : <10%
Driver type : Non Dim, Isolated, Service Life 30,000 Hours at max. temperature
Inbuilt surge protection : CM - DM : 3kV/4kV

SIRIUS 6W - 40W ROUND



MODEL NO. & DESCRIPTION	WATTAGE	OUTER DIAMETER (TRIM/TRIMLESS)	HEIGHT	CUT OUT	TOTAL LUMENS
TRDSLCL 6W SIRIUS RD	6W	65MM/88MM	78MM	55MM	420 - 600 LUMENS
TRDSLCL 8W SIRIUS RD	8W	65MM/88MM	78MM	55MM	560 - 800 LUMENS
TRDSLCL 10W SIRIUS RD	10W	85MM/108MM	101MM	75MM	700 - 1000 LUMENS
TRDSLCL 12W SIRIUS RD	12W	85MM/108MM	101MM	75MM	840 - 1200 LUMENS
TRDSLCL 15W SIRIUS RD	15W	85MM/108MM	101MM	75MM	1050 - 1500 LUMENS
TRDSLCL 18W SIRIUS RD	18W	105MM/128MM	110MM	95MM	1260 - 1800 LUMENS
TRDSLCL 20W SIRIUS RD	20W	105MM/128MM	110MM	95MM	1400 - 2000 LUMENS
TRDSLCL 25W SIRIUS RD	25W	105MM/128MM	121MM	95MM	1750 - 2500 LUMENS
TRDSLCL 28W SIRIUS RD	28W	105MM/128MM	121MM	95MM	1960 - 2800 LUMENS
TRDSLCL 36W SIRIUS RD	36W	135MM/NA	142MM	120MM	2520 - 3600 LUMENS
TRDSLCL 40W SIRIUS RD	40W	135MM/NA	142MM	120MM	2800 - 4000 LUMENS

SIRIUS 6W - 25W SLIM ROUND



MODEL NO. & DESCRIPTION	WATTAGE	OUTER DIAMETER (TRIM/TRIMLESS)	HEIGHT	CUT OUT	TOTAL LUMENS
TRDSLC 6W SIRIUS SLRD	6W	65MM/88MM	114MM	55MM	420 - 600 LUMENS
TRDSLC 8W SIRIUS SLRD	8W	65MM/88MM	114MM	55MM	560 - 800 LUMENS
TRDSLC 10W SIRIUS SLRD	10W	65MM/88MM	114MM	55MM	700 - 1000 LUMENS
TRDSLC 12W SIRIUS SLRD	12W	65MM/88MM	114MM	55MM	840 - 1200 LUMENS
TRDSLC 15W SIRIUS SLRD	15W	65MM/88MM	114MM	55MM	1050 - 1500 LUMENS
TRDSLC 18W SIRIUS SLRD	18W	85MM/108MM	147MM	75MM	1260 - 1800 LUMENS
TRDSLC 20W SIRIUS SLRD	20W	85MM/108MM	147MM	75MM	1400 - 2000 LUMENS
TRDSLC 25W SIRIUS SLRD	25W	85MM/108MM	147MM	75MM	1750 - 2500 LUMENS

SIRIUS 6W - 28W SQUARE



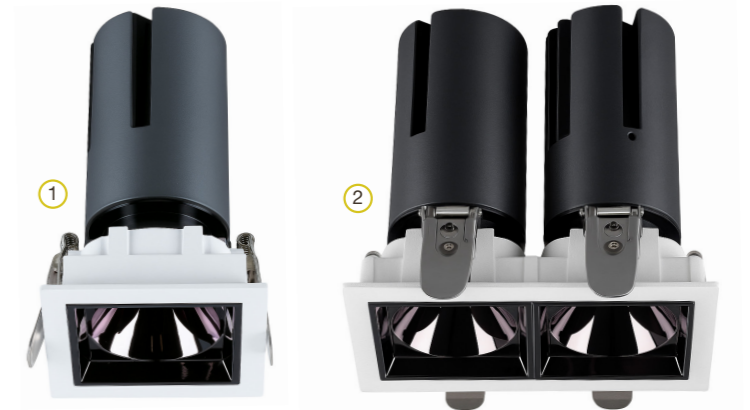
MODEL NO & DESCRIPTION	WATTAGE	LENGTH x WIDTH	HEIGHT	CUT OUT	TOTAL LUMENS
TRDSLC 6W SIRIUS SQ	6W	65x65MM	85MM	55x55MM	420 - 600 LUMENS
TRDSLC 8W SIRIUS SQ	8W	65x65MM	85MM	55x55MM	560 - 800 LUMENS
TRDSLC 10W SIRIUS SQ	10W	85x85MM	111MM	75x75MM	700 - 1000 LUMENS
TRDSLC 12W SIRIUS SQ	12W	85x85MM	111MM	75x75MM	840 - 1200 LUMENS
TRDSLC 15W SIRIUS SQ	15W	85x85MM	111MM	75x75MM	1050 - 1500 LUMENS
TRDSLC 18W SIRIUS SQ	18W	105x105MM	124MM	95x95MM	1260 - 1800 LUMENS
TRDSLC 20W SIRIUS SQ	20W	105x105MM	124MM	95x95MM	1400 - 2000 LUMENS
TRDSLC 25W SIRIUS SQ	25W	105x105MM	135MM	95x95MM	1750 - 2500 LUMENS
TRDSLC 28W SIRIUS SQ	28W	105x105MM	135MM	95x95MM	1960 - 2800 LUMENS

SIRIUS 14W - 40W SQUARE TWIN



MODEL NO & DESCRIPTION	WATTAGE	LENGTH x WIDTH	HEIGHT	CUT OUT	TOTAL LUMENS
TRDSLC 14W SIRIUS SQ TWIN	7Wx2	115x65MM	85MM	105x55MM	980 - 1400 LUMENS
TRDSLC 25W SIRIUS SQ TWIN	12.5Wx2	155x85MM	111MM	145x75MM	1750 - 2500 LUMENS
TRDSLC 36W SIRIUS SQ TWIN	18Wx2	195x105MM	124MM	185x95MM	1260 - 1800 LUMENS
TRDSLC 40W SIRIUS SQ TWIN	20Wx2	195x105MM	135MM	185x95MM	2800 - 4000 LUMENS

SIRIUS 6W - 25W SLIM SQUARE¹ 14W - 40W SQUARE TWIN²



¹ MODEL NO & DESCRIPTION	WATTAGE	LENGTH x WIDTH	HEIGHT	CUT OUT	TOTAL LUMENS
TRDSLC 6W SIRIUS SLSQ	6W	65x65MM	121MM	58x55MM	420 - 600 LUMENS
TRDSLC 8W SIRIUS SLSQ	8W	65x65MM	121MM	58x55MM	560 - 800 LUMENS
TRDSLC 10W SIRIUS SLSQ	10W	65x65MM	121MM	58x55MM	700 - 1000 LUMENS
TRDSLC 12W SIRIUS SLSQ	12W	65x65MM	121MM	58x55MM	840 - 1200 LUMENS
TRDSLC 15W SIRIUS SLSQ	15W	65x65MM	121MM	58x55MM	1050 - 1500 LUMENS
TRDSLC 18W SIRIUS SLSQ	18W	85x85MM	158MM	78x75MM	1260 - 1800 LUMENS
TRDSLC 20W SIRIUS SLSQ	20W	85x85MM	158MM	78x75MM	1400 - 2000 LUMENS
TRDSLC 25W SIRIUS SLSQ	25W	85x85MM	158MM	78x75MM	1750 - 2500 LUMENS
² MODEL NO & DESCRIPTION	WATTAGE	LENGTH x WIDTH	HEIGHT	CUT OUT	TOTAL LUMENS
TRDSLC 14W SIRIUS SLSQ TWIN	7Wx2	115x65MM	121MM	105x58MM	980 - 1400 LUMENS
TRDSLC 28W SIRIUS SLSQ TWIN	14Wx2	115x65MM	121MM	105x58MM	2000 - 2800 LUMENS
TRDSLC 36W SIRIUS SLSQ TWIN	18Wx2	155x85MM	158MM	145x78MM	2520 - 3600 LUMENS
TRDSLC 40W SIRIUS SLSQ TWIN	20Wx2	155x85MM	158MM	145x78MM	2800 - 4000 LUMENS

Seamless Architectural Downlight

Rimless, seamless design that blends perfectly into the ceiling

Architect's choice for clean, minimalist aesthetics

Available in multiple wattages in standard white; customizable to any colour

Elegant solution for spaces where design and discretion matter

LED Downlights LUNOVA



Product Features

Curved Baffle
CCT : 2700K/3000K/3500K/4000K/
5000K/6500K/Tunable White/Dim to Warm
CRI : >80/>90/>95
Beam angle : 15°/24°/36°/55°
Heatsink colour : Grey
Baffle colour : White/Black/Brown/Custom

Louvre options : Honeycomb
Material : Aluminium Die Casting
Mounting : Recessed
Dimming Options : TRIAC, DALI-2 DT6/DT8
IP Protection : IP20
External additional surge protection : Optional 10kV
Rated life (LM 80) : 50,000 hrs

Wattage tolerance = ±5%

While this catalogue serves as a general guide, specifications and availability may change. Please verify with **THNK** for the latest updates.

LUNOVA TECHNICAL DATA



Rated input voltage : 240V AC, 50Hz

Operating input voltage : 100-300V AC, 50Hz

Operating Temperature : -10°C to +45°C

Power factor : >0.90

A-THD : <10%

Driver type : Non Dim, Isolated, Service Life 30,000 Hours at max. temperature

Inbuilt surge protection : CM - DM : 3kV/4kV

LUNOVA 6W - 20W



MODEL NO. & DESCRIPTION	WATTAGE	OUTER DIAMETER	HEIGHT	CUT OUT	TOTAL LUMENS
TRDSLCL 6W LUNOVA	6W	61MM	55MM	55MM	420 - 600 LUMENS
TRDSLCL 8W LUNOVA	8W	71.5MM	58MM	65MM	560 - 800 LUMENS
TRDSLCL 10W LUNOVA	10W	82.5MM	50MM	75MM	700 - 1000 LUMENS
TRDSLCL 12W LUNOVA	12W	82.5MM	64MM	75MM	840 - 1200 LUMENS
TRDSLCL 15W LUNOVA	15W	93MM	72MM	85MM	1050 - 1500 LUMENS
TRDSLCL 18W LUNOVA	18W	104MM	79MM	95MM	1260 - 1800 LUMENS
TRDSLCL 20W LUNOVA	20W	104MM	79MM	95MM	1400 - 2000 LUMENS

Economical High-Quality Downlight
 Reliable, functional lighting at an affordable price
 Variety of wattages, colours, and beam angles
 Durable construction for consistent performance
 Simple, no-frills design that fits any interior

LED Downlights RIGEL



Product Features

CCT : 2700K/3000K/3500K/4000K/
 5000K/6500K/Tunable White/Dim to Warm
 CRI : >80/>90/>95
 Beam angle : 24°/36°/55°
 Body colour : White/Black
 Baffle colour : White/Matte Black/Piano Black/
 Gold/Rose Gold/Chrome

Louvre options : Honeycomb
 Material : Aluminium Die Casting
 Mounting : Recessed
 Dimming Options : TRIAC, DALI-2 DT6/DT8
 IP Protection : IP20
 External additional surge protection : Optional 10kV
 Rated life (LM 80) : 50,000 hrs

Wattage tolerance = ±5%
 While this catalogue serves as a general guide, specifications and availability may change. Please verify with **THINK** for the latest updates.

RIGEL TECHNICAL DATA



Rated input voltage : 240V AC, 50Hz
 Operating input voltage : 100-300V AC, 50Hz
 Operating Temperature : -10°C to +45°C
 Power factor : >0.90
 A-THD : <10%
 Driver type : Non Dim, Isolated, Service Life 30,000 Hours at max. temperature
 Inbuilt surge protection : CM - DM : 3kV/4kV

RIGEL 6W - 40W



MODEL NO & DESCRIPTION	WATTAGE	OUTER DIAMETER	HEIGHT	CUT OUT	TOTAL LUMENS
TRDSLC 6W RIGEL	6W	62MM	59MM	55MM	420 - 600 LUMENS
TRDSLC 8W RIGEL	8W	62MM	59MM	55MM	560 - 800 LUMENS
TRDSLC 10W RIGEL	10W	85MM	64MM	75MM	700 - 1000 LUMENS
TRDSLC 12W RIGEL	12W	85MM	64MM	75MM	840 - 1200 LUMENS
TRDSLC 15W RIGEL	15W	105MM	72MM	95MM	1050 - 1500 LUMENS
TRDSLC 18W RIGEL	18W	105MM	72MM	95MM	1260 - 1800 LUMENS
TRDSLC 20W RIGEL	20W	130MM	73MM	115MM	1400 - 2000 LUMENS
TRDSLC 25W RIGEL	25W	170MM	80MM	145MM	1750 - 2500 LUMENS
TRDSLC 28W RIGEL	28W	170MM	80MM	145MM	1960 - 2800 LUMENS
TRDSLC 36W RIGEL	36W	195MM	85MM	170MM	2520 - 3600 LUMENS
TRDSLC 40W RIGEL	40W	195MM	85MM	170MM	2800 - 4000 LUMENS

Low-Profile Downlight
 Ultra-low height for sleek, unobtrusive installation
 Ideal for spaces with limited ceiling clearance
 Available in multiple wattages
 Clean, modern design that blends seamlessly with interiors

LED Downlights VEGA



Product Features

CCT : 2700K/3000K/3500K/4000K/
 5000K/6500K/Tunable White/Dim to Warm
 CRI : >80/>90/>95
 Beam angle : 40°
 Body colour : White/Black
 Baffle colour : White/Matte Black/Piano Black/
 Rose Gold/Chrome

Louvre options : Honeycomb
 Material : Aluminium Die Casting
 Mounting : Recessed
 Dimming Options : TRIAC, DALI-2 DT6/DT8
 IP Protection : IP20
 External additional surge protection : Optional 10kV
 Rated life (LM 80) : 50,000 hrs

Wattage tolerance = ±5%

While this catalogue serves as a general guide, specifications and availability may change. Please verify with **THINK** for the latest updates.

VEGA TECHNICAL DATA



Rated input voltage : 240V AC, 50Hz
 Operating input voltage : 100-300V AC, 50Hz
 Operating Temperature : -10°C to +45°C
 Power factor : >0.90
 A-THD : <10%
 Driver type : Non Dim, Isolated, Service Life 30,000 Hours at max. temperature
 Inbuilt surge protection : CM - DM : 3kV/4kV

VEGA 6W - 20W



MODEL NO & DESCRIPTION	WATTAGE	OUTER DIAMETER	HEIGHT	CUT OUT	TOTAL LUMENS
TRDSLC 6W VEGA	6W	85MM	50MM	75MM	420 - 600 LUMENS
TRDSLC 8W VEGA	8W	85MM	50MM	75MM	560 - 800 LUMENS
TRDSLC 10W VEGA	10W	85MM	50MM	75MM	700 - 1000 LUMENS
TRDSLC 12W VEGA	12W	100MM	60MM	95MM	840 - 1200 LUMENS
TRDSLC 15W VEGA	15W	100MM	60MM	95MM	1050 - 1500 LUMENS
TRDSLC 18W VEGA	18W	125MM	65MM	120MM	1260 - 1800 LUMENS
TRDSLC 20W VEGA	20W	125MM	65MM	120MM	1400 - 2000 LUMENS

Waterproof Downlight (IP65)

IP65 rating for wet areas like washrooms and semi-outdoor spaces

Robust design for long-lasting performance in humid environments

Versatile applications without compromising safety

Compact and stylish, suitable for modern interiors

LED Downlights HYDRA



Product Features

CCT : 2700K/3000K/3500K/4000K/
5000K/6500K/Tunable White/Dim to Warm
CRI : >80/>90/>95
Beam angle : 24°/45°/55°
Body colour : White/Black
Baffle colour : White/Matte Black/Piano Black/
Chrome

Louvre options : Honeycomb
Material : Aluminium Die Casting
Mounting : Recessed
Dimming Options : TRIAC, DALI-2 DT6/DT8
IP Protection : IP65
External additional surge protection : Optional 10kV
Rated life (LM 80) : 50,000 hrs

Wattage tolerance = ±5%

While this catalogue serves as a general guide, specifications and availability may change. Please verify with **THINK** for the latest updates.

HYDRA TECHNICAL DATA



Rated input voltage : 240V AC, 50Hz

Operating input voltage : 100-300V AC, 50Hz

Operating Temperature : -10°C to +45°C

Power factor : >0.90

A-THD : <10%

Driver type : Non Dim, Isolated, Service Life 30,000 Hours at max. temperature

Inbuilt surge protection : CM - DM : 3kV/4kV

HYDRA 6W - 80W



MODEL NO & DESCRIPTION	WATTAGE	OUTER DIAMETER	HEIGHT	CUT OUT	TOTAL LUMENS
TRDSLC 6W HYDRA	6W	85MM	70MM	75MM	420 - 600 LUMENS
TRDSLC 8W HYDRA	8W	85MM	70MM	75MM	560 - 800 LUMENS
TRDSLC 10W HYDRA	10W	85MM	70MM	75MM	700 - 1000 LUMENS
TRDSLC 12W HYDRA	12W	85MM	70MM	75MM	840 - 1200 LUMENS
TRDSLC 15W HYDRA	15W	110MM	78MM	95MM	1050 - 1500 LUMENS
TRDSLC 18W HYDRA	18W	110MM	78MM	95MM	1260 - 1800 LUMENS
TRDSLC 20W HYDRA	20W	135MM	91MM	125MM	1400 - 2000 LUMENS
TRDSLC 25W HYDRA	25W	135MM	91MM	125MM	1750 - 2500 LUMENS
TRDSLC 28W HYDRA	28W	135MM	91MM	125MM	1960 - 2800 LUMENS
TRDSLC 36W HYDRA	36W	180MM	106MM	155MM	2520 - 3600 LUMENS
TRDSLC 40W HYDRA	40W	180MM	106MM	155MM	2800 - 4000 LUMENS
TRDSLC 56W HYDRA	56W	242MM	140MM	220MM	3920 - 5600 LUMENS
TRDSLC 72W HYDRA	72W	242MM	140MM	220MM	5040 - 7200 LUMENS
TRDSLC 80W HYDRA	80W	242MM	140MM	220MM	5600 - 8000 LUMENS

IP65 Anti-Glare Downlight

Deep recessed design for superior glare control

Available in multiple wattages and colors to suit any project

Ideal for glare-sensitive environments like galleries, offices, and open air seating

Sleek, functional design combining performance with elegance

LED Downlights GALAX



Product Features

CCT : 2700K/3000K/3500K/4000K/
5000K/6500K/Tunable White/Dim to Warm
CRI : >80/>90/>95
Beam angle : 24°/36°/60°
Heatsink colour : Grey
Baffle colour : White/Black/Gun Black/
Brass/Rose Gold/Chrome

Material : Aluminium Die Casting
Mounting : Recessed
Dimming Options : TRIAC, DALI-2 DT6/DT8
IP Protection : IP65
External additional surge protection : Optional 10kV
Rated life (LM 80) : 50,000 hrs

Wattage tolerance = ±5%

While this catalogue serves as a general guide, specifications and availability may change. Please verify with **THINK** for the latest updates.

GALAX TECHNICAL DATA



Rated input voltage : 240V AC, 50Hz

Operating input voltage : 100-300V AC, 50Hz

Operating Temperature : -10°C to +45°C

Power factor : >0.90

A-THD : <10%

Driver type : Non Dim, Isolated, Service Life 30,000 Hours at max. temperature

Inbuilt surge protection : CM - DM : 3kV/4kV

GALAX 3W - 18W



MODEL NO. & DESCRIPTION	WATTAGE	OUTER DIAMETER	HEIGHT	CUT OUT	TOTAL LUMENS
TRDSLC 3W GALAX	3W	65MM	72MM	55MM	210 - 300 LUMENS
TRDSLC 6W GALAX	6W	65MM	72MM	55MM	420 - 600 LUMENS
TRDSLC 8W GALAX	8W	85MM	79MM	75MM	560 - 800 LUMENS
TRDSLC 10W GALAX	10W	85MM	79MM	75MM	700 - 1000 LUMENS
TRDSLC 12W GALAX	12W	85MM	79MM	75MM	840 - 1200 LUMENS
TRDSLC 15W GALAX	15W	105MM	94MM	95MM	1050 - 1500 LUMENS
TRDSLC 18W GALAX	18W	105MM	94MM	95MM	1260 - 1800 LUMENS

Anti-Glare Downlight

Sleek, minimal design ensuring visual comfort and clean ceiling aesthetics

Anti-glare optics available in multiple beam angles for precise illumination

Ideal for functional lighting in modern interiors

Standard white finish with custom colour options for design flexibility

LED Downlights MIRA



Product Features

CCT : 2700K/3000K/3500K/4000K/
5000K/6500K/Tunable White/Dim to Warm

CRI : >80/>90/>95

Beam angle : 20°/40°/60°

Body colour : White/Black

Material : Aluminium Die Casting

Mounting : Recessed

Dimming Options : TRIAC, DALI-2 DT6/DT8

IP Protection : IP20

External additional surge protection : Optional 10kV

Rated life (LM 80) : 50,000 hrs

Wattage tolerance = ±5%

While this catalogue serves as a general guide, specifications and availability may change. Please verify with **THINK** for the latest updates.

MIRA TECHNICAL DATA



Rated input voltage : 240V AC, 50Hz

Operating input voltage : 100-300V AC, 50Hz

Operating Temperature : -10°C to +45°C

Power factor : >0.90

A-THD : <10%

Driver type : Non Dim, Isolated, Service Life 30,000 Hours at max. temperature

Inbuilt surge protection : CM - DM : 3kV/4kV

MIRA 3W - 15W



MODEL NO & DESCRIPTION	WATTAGE	OUTER DIAMETER	HEIGHT	CUT OUT	TOTAL LUMENS
TRDSLC 3W MIRA	3W	60MM	69MM	55MM	210 - 300 LUMENS
TRDSLC 6W MIRA	6W	60MM	69MM	55MM	420 - 600 LUMENS
TRDSLC 8W MIRA	8W	60MM	81MM	55MM	560 - 800 LUMENS
TRDSLC 10W MIRA	10W	60MM	81MM	55MM	700 - 1000 LUMENS
TRDSLC 12W MIRA	12W	60MM	81MM	55MM	840 - 1200 LUMENS
TRDSLC 15W MIRA	15W	75MM	96MM	70MM	1050 - 1500 LUMENS

Deep Cone Downlight

Extra-deep cone design for precise, controlled illumination

Narrow beam options from 15° to 40° for targeted lighting effects

Ghost light technology ensures the LED source is invisible when on

Customizable colours for seamless integration with interior designs

LED Downlights HELIA



Product Features

CCT : 2700K/3000K/3500K/4000K/
5000K/6500K/Tunable White/Dim to Warm
CRI : >80/>90/>95
Beam angle : 15°/25°/40°
Body colour : White/Black
Material : Aluminium Die Casting

Mounting : Recessed
Dimming Options : TRIAC, DALI-2 DT6/DT8
IP Protection : IP20
External additional surge protection : Optional 10kV
Rated life (LM 80) : 50,000 hrs

Wattage tolerance = ±5%

While this catalogue serves as a general guide, specifications and availability may change. Please verify with **THINK** for the latest updates.

HELIA TECHNICAL DATA



Rated input voltage : 240V AC, 50Hz

Operating input voltage : 100-300V AC, 50Hz

Operating Temperature : -10°C to +45°C

Power factor : >0.90

A-THD : <10%

Driver type : Non Dim, Isolated, Service Life 30,000 Hours at max. temperature

Inbuilt surge protection : CM - DM : 3kV/4kV

HELIA 8W - 12W



MODEL NO & DESCRIPTION	WATTAGE	OUTER DIAMETER	HEIGHT	CUT OUT	TOTAL LUMENS
TRDSLC 8W HELIA	8W	84MM	97MM	75MM	560 - 800 LUMENS
TRDSLC 10W HELIA	10W	84MM	97MM	75MM	700 - 1000 LUMENS
TRDSLC 12W HELIA	12W	84MM	115MM	75MM	840 - 1200 LUMENS

Deep Recess Diffused Downlight

Features a deep recessed lens design for enhanced visual comfort

Diffused lens delivers smooth low glare illumination

Ideal for modern interiors requiring clean aesthetics with reduced glare

A perfect blend of form and function for refined architectural lighting

LED Downlights NOIR



Product Features

Deep recess lens for diffused light
CCT : 2700K/3000K/3500K/4000K/
5000K/6500K/Tunable White/Dim to Warm
CRI : >80/>90/>95
Beam angle : 60°
Heatsink colour : White
Baffle colour : White / Black

Material : Aluminium Die Casting
Mounting : Recessed
Dimming Options : TRIAC, DALI-2 DT6/DT8
IP Protection : IP20
External additional surge protection : Optional 10kV
Rated life (LM 80) : 50,000 hrs

Wattage tolerance = ±5%

While this catalogue serves as a general guide, specifications and availability may change. Please verify with **THINK** for the latest updates.

NOIR

TECHNICAL DATA



Rated input voltage : 240V AC, 50Hz

Operating input voltage : 100-300V AC, 50Hz

Operating Temperature : -10°C to +45°C

Power factor : >0.90

A-THD : <10%

Driver type : Non Dim, Isolated, Service Life 30,000 Hours at max. temperature

Inbuilt surge protection : CM - DM : 3kV/4kV

NOIR

6W - 15W



MODEL NO. & DESCRIPTION	WATTAGE	OUTER DIAMETER	HEIGHT	CUT OUT	TOTAL LUMENS
TRDSLCL 6W NOIR	6W	63MM	52MM	55MM	480- 600 LUMENS
TRDSLCL 10W NOIR	10W	85MM	64MM	75MM	800 - 1000 LUMENS
TRDSLCL 15W NOIR	15W	102MM	74MM	90MM	1200 - 1500 LUMENS

Uniform Diffused Downlight

Bright even illumination ideal for task oriented spaces

High efficiency diffused optics ensures soft shadow free lighting

Ideal for kitchens, utility rooms, corridors and functional interiors

Designed to meet high lux level requirements with ease

LED Downlights OPALE



OPALE

TECHNICAL DATA



Rated input voltage : 240V AC, 50Hz

Operating input voltage : 100-300V AC, 50Hz

Operating Temperature : -10°C to +45°C

Power factor : >0.90

A-THD : <10%

Driver type : Non Dim, Isolated, Service Life 30,000 Hours at max. temperature

Inbuilt surge protection : CM - DM : 3kV/4kV

OPALE

5W - 10W



Product Features

Deep recess diffused light

CCT : 2700K/3000K/3500K/4000K/

5000K/6500K/Tunable White/Dim to Warm

CRI : >80/>90/>95

Beam angle : 60°

Heatsink colour : White

Baffle colour : White

Diffuser options : Micro Prism

Material : Aluminium Die Casting

Mounting : Recessed

Dimming Options : TRIAC, DALI-2 DT6/DT8

IP Protection : IP20

External additional surge protection : Optional 10kV

Rated life (LM 80) : 50,000 hrs

MODEL NO. & DESCRIPTION	WATTAGE	OUTER DIAMETER	HEIGHT	CUT OUT	TOTAL LUMENS
TRDSLC 5W OPALE	5W	62MM	41MM	52MM	400 - 600 LUMENS
TRDSLC 7W OPALE	7W	83MM	45MM	72MM	560 - 840 LUMENS
TRDSLC 10W OPALE	10W	104MM	61MM	93MM	800 - 1200 LUMENS

Wattage tolerance = ±5%

While this catalogue serves as a general guide, specifications and availability may change. Please verify with **THINK** for the latest updates.

Multi-Functional Downlight

Wide 120° beam angle providing excellent general illumination

Highly efficient design for energy savings and bright output

Ideal for areas requiring both task lighting and high ambient light

Versatile solution for functional spaces such as kitchens, passages, and washrooms

LED Downlights ORBIT



Product Features

CCT : 2700K/3000K/3500K/4000K/
5000K/6500K/Tunable White/Dim to Warm
CRI : >80/>90/>95
Beam angle : 120°
Body colour : White/Black
Tilt angle : 25°, 355° Adjustable

Material : Aluminium Die Casting
Mounting : Recessed
Dimming Options : TRIAC, DALI-2 DT6/DT8
IP Protection : IP20
External additional surge protection : Optional 10kV
Rated life (LM 80) : 50,000 hrs

Wattage tolerance = ±5%

While this catalogue serves as a general guide, specifications and availability may change. Please verify with **THINK** for the latest updates.

ORBIT TECHNICAL DATA



Rated input voltage : 240V AC, 50Hz

Operating input voltage : 100-300V AC, 50Hz

Operating Temperature : -10°C to +45°C

Power factor : >0.90

A-THD : <10%

Driver type : Non Dim, Isolated, Service Life 30,000 Hours at max. temperature

Inbuilt surge protection : CM - DM : 3kV/4kV

ORBIT 6W - 12W



MODEL NO & DESCRIPTION	WATTAGE	OUTER DIAMETER	HEIGHT	CUT OUT	TOTAL LUMENS
TRDSLC 6W ORBIT	6W	85MM	73MM	75MM	420 - 600 LUMENS
TRDSLC 8W ORBIT	8W	85MM	73MM	75MM	560 - 800 LUMENS
TRDSLC 10W ORBIT	10W	85MM	73MM	75MM	700 - 1000 LUMENS
TRDSLC 12W ORBIT	12W	85MM	73MM	75MM	840 - 1200 LUMENS

Miniature Pinhole Spotlight

Precise beam angle for focused, accent lighting

Sleek, minimal design with tiny cutout size for discreet installation

Ideal for niche areas, miniature accents, and showcase lighting

Compact solution for functional and decorative lighting in interiors

LED Downlights PIXO



Product Features

CCT : 2700K/3000K/3500K/4000K/
5000K/6500K

CRI : >80/>90/>95

Beam angle : 15°/24°/36°

Body colour : White/Black/Silver

Material : Aluminium Die Casting

Mounting : Recessed

Dimming Options : TRIAC, DALI-2 DT6/DT8

IP Protection : IP20

External additional surge protection : Optional 10kV

Rated life (LM 80) : 50,000 hrs

Wattage tolerance = ±5%

While this catalogue serves as a general guide, specifications and availability may change. Please verify with **THINK** for the latest updates.

PIXO TECHNICAL DATA



Rated input voltage : 240V AC, 50Hz

Operating input voltage : 100-300V AC, 50Hz

Operating Temperature : -10°C to +45°C

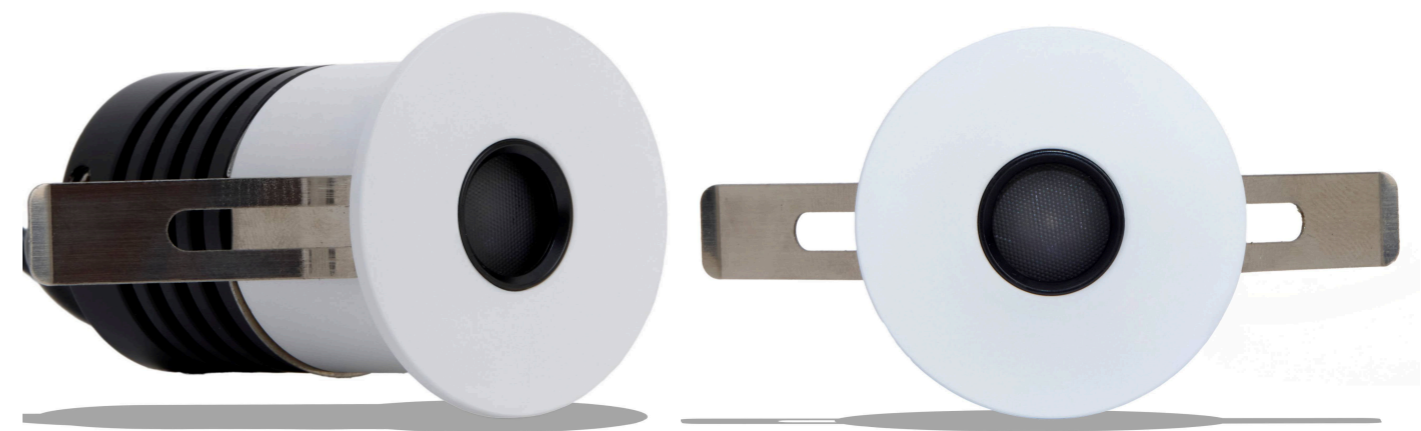
Power factor : >0.90

A-THD : <10%

Driver type : Non Dim, Isolated, Service Life 30,000 Hours at max. temperature

Inbuilt surge protection : CM - DM : 3kV/4kV

PIXO 3W



MODEL NO & DESCRIPTION	WATTAGE	OUTER DIAMETER	HEIGHT	CUT OUT	TOTAL LUMENS
TRDSL3 3W PIXO	3W	40MM	54MM	35MM	210 - 300 LUMENS

Adjustable Eyeball Spotlight

Adjustable head allows flexible and precise light direction

Low-glare design ensures comfortable visual experience

Ideal for highlighting walls, artwork, and architectural details

Sleek, minimalist design complements contemporary interiors

LED Downlights AXIS



Product Features

CCT : 2700K/3000K/3500K/4000K/
5000K/6500K

CRI : >80/>90/>95

Beam angle : 15°/24°/36°

Body colour : White/Black

Material : Aluminium Die Casting

Mounting : Recessed

Dimming Options : TRIAC, DALI-2 DT6/DT8

IP Protection : IP20

External additional surge protection : Optional 10kV

Rated life (LM 80) : 50,000 hrs

Wattage tolerance = ±5%

While this catalogue serves as a general guide, specifications and availability may change. Please verify with **THINK** for the latest updates.

AXIS TECHNICAL DATA



Rated input voltage : 240V AC, 50Hz

Operating input voltage : 100-300V AC, 50Hz

Operating Temperature : -10°C to +45°C

Power factor : >0.90

A-THD : <10%

Driver type : Non Dim, Isolated, Service Life 30,000 Hours at max. temperature

Inbuilt surge protection : CM - DM : 3kV/4kV

AXIS 3W



MODEL NO & DESCRIPTION	WATTAGE	OUTER DIAMETER	HEIGHT	CUT OUT	TOTAL LUMENS
TRDSLCL 3W AXIS	3W	34MM	80MM	30MM	210 - 300 LUMENS

Miniature Rose-Gold Spotlight

Elegant rose-gold finish for a refined and luxurious look

Ideal for mood lighting and creating warm, inviting spaces

Low-glare design ensures visual comfort

Compact and sleek form for discreet, elegant installation

LED Downlights ROUX



Product Features

CCT : 2700K/3000K/3500K/4000K/
5000K/6500K

CRI : >80/>90/>95

Beam angle : 40°

Body colour : Rose Gold

Material : Aluminium Die Casting

Mounting : Recessed

Dimming Options : TRIAC, DALI-2 DT6/DT8

IP Protection : IP20

External additional surge protection : Optional 10kV

Rated life (LM 80) : 50,000 hrs

ROUX TECHNICAL DATA



Rated input voltage : 240V AC, 50Hz

Operating input voltage : 100-300V AC, 50Hz

Operating Temperature : -10°C to +45°C

Power factor : >0.90

A-THD : <10%

Driver type : Non Dim, Isolated, Service Life 30,000 Hours at max. temperature

Inbuilt surge protection : CM - DM : 3kV/4kV

ROUX 3W



MODEL NO. & DESCRIPTION	WATTAGE	OUTER DIAMETER	HEIGHT	CUT OUT	TOTAL LUMENS
TRDSLC 3W ROUX	3W	46MM	59MM	40MM	210 - 300 LUMENS

Wattage tolerance = ±5%

While this catalogue serves as a general guide, specifications and availability may change. Please verify with **THINK** for the latest updates.

Miniature Telescopic Spotlight

Sleek telescopic design for modern interiors

Adjustable head allows precise aiming and focused illumination

Minimal cut-out size for discreet installation

Ideal for accenting artwork, displays, and architectural features

LED Downlights TELIS



Product Features

CCT : 2700K/3000K/3500K/4000K/
5000K/6500K/Tunable White/Dim to Warm
CRI : >80/>90/>95
Beam angle : 15°/24°/36°
Body colour : White/Black/Grey
Material : Aluminium Die Casting

Mounting : Recessed
Dimming Options : TRIAC, DALI-2 DT6/DT8
IP Protection : IP20
External additional surge protection : Optional 10kV
Rated life (LM 80) : 50,000 hrs

Wattage tolerance = ±5%

While this catalogue serves as a general guide, specifications and availability may change. Please verify with **THINK** for the latest updates.

TELIS TECHNICAL DATA



Rated input voltage : 240V AC, 50Hz

Operating input voltage : 100-300V AC, 50Hz

Operating Temperature : -10°C to +45°C

Power factor : >0.90

A-THD : <10%

Driver type : Non Dim, Isolated, Service Life 30,000 Hours at max. temperature

Inbuilt surge protection : CM - DM : 3kV/4kV

TELIS 8W - 12W



MODEL NO. & DESCRIPTION	WATTAGE	OUTER DIAMETER	HEIGHT	CUT OUT	TOTAL LUMENS
TRDSLC 8W TELIS	8W	85MM	105MM	75MM	560 - 800 LUMENS
TRDSLC 10W TELIS	10W	85MM	105MM	75MM	700 - 1000 LUMENS
TRDSLC 12W TELIS	12W	85MM	105MM	75MM	840 - 1200 LUMENS

Precision Linear Downlight

High precision illumination available in multiple cell configurations

Offered in recessed trimless and swivel variants for complete design flexibility

Multiple reflector colour options to match any interior palette

Delivers sharp refined lighting performance tailored for modern architectural spaces

LED Downlights AERO



Product Features

CCT : 2700K/3000K/3500K/4000K/
5000K/6500K
CRI : >80/>90/>95
Beam angle : 24°/36°
Heatsink colour : Body colour
Outer trim colour : White/Black
Reflector colour : Black/Rose Gold

Material : Aluminium Die Casting
Mounting : Recessed (Trim/Trimless/Tilttable)
Tilttable option is with 25° swivel function
Dimming Options : TRIAC, DALI-2 DT6/DT8
IP Protection : IP20
External additional surge protection : Optional 10kV
Rated life (LM 80) : 50,000 hrs

Wattage tolerance = ±5%

While this catalogue serves as a general guide, specifications and availability may change. Please verify with **THNK** for the latest updates.

AERO

TECHNICAL DATA



Rated input voltage : 240V AC, 50Hz

Operating input voltage : 100-300V AC, 50Hz

Operating Temperature : -10°C to +45°C

Power factor : >0.90

A-THD : <10%

Driver type : Non Dim, Isolated, Service Life 30,000 Hours at max. temperature

Inbuilt surge protection : CM - DM : 3kV/4kV

AERO

3W - 25W



MODEL NO. & DESCRIPTION	WATTAGE	OUTER DIMENSION (LXBXH)	CELLS	CUT OUT	TOTAL LUMENS
TRDSLC 3W AERO TRIM	3W	45MMX45MMX49MM	1	37MMX37MM	240 - 300 LUMENS
TRDSLC 6W AERO TRIM	6W	75MMX45MMX49MM	2	68MMX37MM	480 - 600 LUMENS
TRDSLC 15W AERO TRIM	15W	147MMX45MMX49MM	5	140MMX37MM	1200 - 1500 LUMENS
MODEL NO. & DESCRIPTION	WATTAGE	OUTER DIMENSION (LXBXH)	CELLS	CUT OUT	TOTAL LUMENS
TRDSLC 3W AERO TRIMLESS	3W	41MMX79MMX49MM	1	42MMX41MM	240 - 300 LUMENS
TRDSLC 6W AERO TRIMLESS	6W	71MMX79MMX49MM	2	72MMX41MM	480 - 600 LUMENS
TRDSLC 12W AERO TRIMLESS	12W	143MMX79MMX49MM	5	144MMX41MM	960 - 1200 LUMENS
TRDSLC 25W AERO TRIMLESS	25W	276MMX79MMX49MM	10	277MMX41MM	2000 - 2500 LUMENS
MODEL NO. & DESCRIPTION	WATTAGE	OUTER DIMENSION (LXBXH)	CELLS	CUT OUT	TOTAL LUMENS
TRDSLC 6W AERO TILTABLE	6W	84MMX49MMX44MM	3	78MMX43MM	480 - 600 LUMENS
TRDSLC 12W AERO TILTABLE	12W	141MMX49MMX44MM	6	136MMX43MM	960 - 1200 LUMENS
TRDSLC 25W AERO TILTABLE	25W	255MMX49MMX44MM	12	250MMX43MM	1200 - 2500 LUMENS

Pull-Out Rotatable Spotlight

Pull-out design for precise, targeted illumination

Can be used as a fixed spotlight or pulled out for adjustable lighting

Rotatable for flexible positioning and optimal coverage

Low-glare design ensures comfortable visual experience

LED Downlights FLEXO



Product Features

CCT : 2700K/3000K/3500K/4000K/
5000K/6500K/Tunable White/Dim to Warm
CRI : >80/>90/>95
Beam angle : 15°/24°/38°/60°
Body colour : White/Black
Tilt angle : 45°, 355° Rotation

Material : Aluminium Die Casting
Mounting : Recessed
Dimming Options : TRIAC, DALI-2 DT6/DT8
IP Protection : IP20
External additional surge protection : Optional 10kV
Rated life (LM 80) : 50,000 hrs

Wattage tolerance = ±5%

While this catalogue serves as a general guide, specifications and availability may change. Please verify with **THNK** for the latest updates.

FLEXO TECHNICAL DATA



Rated input voltage : 240V AC, 50Hz

Operating input voltage : 100-300V AC, 50Hz

Operating Temperature : -10°C to +45°C

Power factor : >0.90

A-THD : <10%

Driver type : Non Dim, Isolated, Service Life 30,000 Hours at max. temperature

Inbuilt surge protection : CM - DM : 3kV/4kV

FLEXO 8W - 12W



MODEL NO & DESCRIPTION	WATTAGE	OUTER DIAMETER	HEIGHT	CUT OUT	TOTAL LUMENS
TRDSLC 8W FLEXO	8W	103MM	120MM	90MM	560 - 800 LUMENS
TRDSLC 10W FLEXO	10W	103MM	120MM	90MM	700 - 1000 LUMENS
TRDSLC 12W FLEXO	12W	103MM	120MM	90MM	840 - 1200 LUMENS

Versatile Recess & Surface-Mounted Spotlight
 360° rotation and 90° tilt for maximum flexibility
 Perfect for highlighting artifacts, wall paintings, and displays
 Compact design that fits seamlessly into interiors
 Available in a wide range of custom colours

LED Downlights TIMIR



Product Features

CCT : 2700K/3000K/3500K/4000K/
 5000K/6500K/Tunable White/Dim to Warm
 CRI : >80/>90/>95
 Beam angle : 15°/24°/38°
 Body colour : White/Black/Brown/Custom
 Baffle colour : White/Black/Brown/Custom

Material : Aluminium Die Casting
 Mounting : Recessed / Surface-Mounted
 Dimming Options : TRIAC, DALI-2 DT6/DT8
 IP Protection : IP20
 External additional surge protection : Optional 10kV
 Rated life (LM 80) : 50,000 hrs

TIMIR-R - Recessed Model, TIMIR-S - Surface-Mounted Model. Wattage tolerance = ±5%
 While this catalogue serves as a general guide, specifications and availability may change. Please verify with **THINK** for the latest updates.

TIMIR TECHNICAL DATA



Rated input voltage : 240V AC, 50Hz
 Operating input voltage : 100-300V AC, 50Hz
 Operating Temperature : -10°C to +45°C
 Power factor : >0.90
 A-THD : <10%
 Driver type : Non Dim, Isolated, Service Life 30,000 Hours at max. temperature
 Inbuilt surge protection : CM - DM : 3kV/4kV

TIMIR 6W - 12W



MODEL NO & DESCRIPTION	WATTAGE	OUTER DIAMETER	HEIGHT	CUT OUT	TOTAL LUMENS
TRDSLCL 6W TIMIR-R	6W	52MM	172MM	48MM	420 - 600 LUMENS
TRDSLCL 8W TIMIR-R	8W	52MM	172MM	48MM	560 - 800 LUMENS
TRDSLCL 10W TIMIR-R	10W	52MM	172MM	48MM	700 - 1000 LUMENS
TRDSLCL 12W TIMIR-R	12W	52MM	175MM	48MM	840 - 1200 LUMENS
TSDLCL 6W TIMIR-S	6W	52MM	168MM	NA	420-600 LUMENS
TSDLCL 10W TIMIR-S	10W	52MM	168MM	NA	700 - 1000 LUMENS

Tilttable & Rotatable Surface Spotlight

Unique design allowing full tilt and rotation for flexible lighting control

Suitable for both accent and ambient lighting

LED Downlights ALASIA



Product Features

CCT : 2700K/3000K/3500K/4000K/
5000K/6500K/Tunable White/Dim to Warm
CRI : >80/>90/>95
Beam angle : 24°/40°/60°
Body colour : White/Black
Material : Aluminium Die Casting

Mounting : Surface-Mounted
Dimming Options : TRIAC, DALI-2 DT6/DT8
IP Protection : IP20
External additional surge protection : Optional 10kV
Rated life (LM 80) : 50,000 hrs

Wattage tolerance = ±5%

While this catalogue serves as a general guide, specifications and availability may change. Please verify with **THNK** for the latest updates.

ALASIA TECHNICAL DATA



Rated input voltage : 240V AC, 50Hz

Operating input voltage : 100-300V AC, 50Hz

Operating Temperature : -10°C to +45°C

Power factor : >0.90

A-THD : <10%

Driver type : Non Dim, Isolated, Service Life 30,000 Hours at max. temperature

Inbuilt surge protection : CM - DM : 3kV/4kV

ALASIA 6W - 18W



MODEL NO. & DESCRIPTION	WATTAGE	OUTER DIAMETER	HEIGHT	TOTAL LUMENS
TSDLCL 6W ALASIA	6W	80MM	90MM	420 - 600 LUMENS
TSDLCL 10W ALASIA	10W	80MM	90MM	700 - 1000 LUMENS
TSDLCL12W ALASIA	12W	80MM	90MM	840 - 1200 LUMENS
TSDLCL 14W ALASIA	14W	80MM	90MM	1000 - 1400 LUMENS
TSDLCL 18W ALASIA	18W	100MM	100MM	1300 - 1800 LUMENS

Tiltable Surface Spotlight

Sleek, compact design with hidden tilt arm for precise illumination

Offers a wide range of beam angles and flexible lighting options

Ideal for accent and functional lighting in modern interiors

Combines adjustability with clean, minimal aesthetics for seamless integration

LED Downlights SERO



Product Features

CCT : 2700K/3000K/3500K/4000K/
5000K/6500K/Tunable White/Dim to Warm
CRI : >80/>90/>95
Beam angle : 12°/24°/38°
Body colour : White/Black
Material : Aluminium Die Casting

Mounting : Surface Mounted
Dimming Options : TRIAC, DALI-2 DT6/DT8
IP Protection : IP20
External additional surge protection : Optional 10kV
Rated life (LM 80) : 50,000 hrs

Wattage tolerance = ±5%

While this catalogue serves as a general guide, specifications and availability may change. Please verify with **THNK** for the latest updates.

SERO TECHNICAL DATA



Rated input voltage : 240V AC, 50Hz

Operating input voltage : 100-300V AC, 50Hz

Operating Temperature : -10°C to +45°C

Power factor : >0.90

A-THD : <10%

Driver type : Non Dim, Isolated, Service Life 30,000 Hours at max. temperature

Inbuilt surge protection : CM - DM : 3kV/4kV

SERO 6W - 12W



MODEL NO. & DESCRIPTION	WATTAGE	OUTER DIAMETER	HEIGHT	TOTAL LUMENS
TSDLCL 6W SERO	6W	70MM	120MM	400 - 600 LUMENS
TSDLCL 10W SERO	10W	70MM	120MM	700 - 1000 LUMENS
TSDLCL 12W SERO	12W	70MM	120MM	840 - 1200 LUMENS

Compact IP65 Surface Spotlight

Sleek cylindrical design with IP65 protection for versatile indoor and semi-outdoor use

Compact form factor delivering powerful, focused illumination

Custom color options allow seamless integration with interior design themes

Ideal for outdoor spaces requiring durable yet aesthetic surface-mounted lighting

LED Downlights MAGO



Product Features

CCT : 2700K/3000K/3500K/4000K/
5000K/6500K/Tunable White/Dim to Warm
CRI : >80/>90/>95
Beam angle : 20°/40°/60°
Body colour : White/Black/Brown/Custom
Honeycomb Louvre Option

Material : Aluminium Die Casting
Mounting : Surface Mounted
Dimming Options : TRIAC, DALI-2 DT6/DT8
IP Protection : IP65
External additional surge protection : Optional 10kV
Rated life (LM 80) : 50,000 hrs

Wattage tolerance = ±5%

While this catalogue serves as a general guide, specifications and availability may change. Please verify with **THNK** for the latest updates.

MAGO TECHNICAL DATA



Rated input voltage : 240V AC, 50Hz

Operating input voltage : 100-300V AC, 50Hz

Operating Temperature : -10°C to +45°C

Power factor : >0.90

A-THD : <10%

Driver type : Non Dim, Isolated, Service Life 30,000 Hours at max. temperature

Inbuilt surge protection : CM - DM : 3kV/4kV

MAGO 6W - 10W



MODEL NO & DESCRIPTION	WATTAGE	OUTER DIAMETER	HEIGHT	TOTAL LUMENS
TSDLCL 6W MAGO	6W	75MM	100MM	420 - 600 LUMENS
TSDLCL 10W MAGO	10W	75MM	100MM	700 - 1000 LUMENS

Surface-Mounted Diffused Spotlight

Soft diffused illumination for comfortable, uniform lighting

Wide beam distribution ideal for general indoor applications

Sleek cylindrical form enhances modern architectural spaces

Designed for visual comfort and refined aesthetics

LED Downlights LIORA



Product Features

CCT : 2700K/3000K/3500K/4000K/
5000K/6500K/Tunable White/Dim to Warm
CRI : >80/>90/>95
Beam angle : 60°
Body colour : White/Black
Material : Aluminium Die Casting

Mounting : Surface Mounted
Dimming Options : TRIAC, DALI-2 DT6/DT8
IP Protection : IP20
External additional surge protection : Optional 10kV
Rated life (LM 80) : 50,000 hrs

Wattage tolerance = ±5%

While this catalogue serves as a general guide, specifications and availability may change. Please verify with **THNK** for the latest updates.

LIORA TECHNICAL DATA



Rated input voltage : 240V AC, 50Hz

Operating input voltage : 100-300V AC, 50Hz

Operating Temperature : -10°C to +45°C

Power factor : >0.90

A-THD : <10%

Driver type : Non Dim, Isolated, Service Life 30,000 Hours at max. temperature

Inbuilt surge protection : CM - DM : 3kV/4kV

LIORA 6W - 10W



MODEL NO.	WATTAGE	OUTER DIAMETER	HEIGHT	TOTAL LUMENS
TSDLCL 6W LIORA	6W	90MM	90MM	420 - 600 LUMENS
TSDLCL 10W LIORA	10W	90MM	90MM	700 - 1000 LUMENS

Economical Surface Spotlight

Cost-effective design offering dependable performance for indoor spaces

Available in multiple sizes and beam angles to suit varied lighting needs

Custom colour finishes to complement interior design aesthetics

Practical surface-mounted solution combining functionality, efficiency, and value

LED Downlights EBLA



Product Features

CCT : 2700K/3000K/3500K/4000K/
5000K/6500K/Tunable White/Dim to Warm
CRI : >80/>90/>95
Beam angle : 40°
Body colour : White/Black/Custom
Baffle colour : White/Piano Black/Gold/
Rose Gold/Chrome

Material : Aluminium Die Casting
Mounting : Surface Mounted
Dimming Options : TRIAC, DALI-2 DT6/DT8
IP Protection : IP20
External additional surge protection : Optional 10kV
Rated life (LM 80) : 50,000 hrs

Wattage tolerance = ±5%

While this catalogue serves as a general guide, specifications and availability may change. Please verify with **THNK** for the latest updates.

EBLA TECHNICAL DATA



Rated input voltage : 240V AC, 50Hz

Operating input voltage : 100-300V AC, 50Hz

Operating Temperature : -10°C to +45°C

Power factor : >0.90

A-THD : <10%

Driver type : Non Dim, Isolated, Service Life 30,000 Hours at max. temperature

Inbuilt surge protection : CM - DM : 3kV/4kV

EBLA 6W - 36W



MODEL NO & DESCRIPTION	WATTAGE	OUTER DIAMETER	HEIGHT	TOTAL LUMENS
TSDLCL 6W EBLA	6W	50MM	80MM	420 - 600 LUMENS
TSDLCL 10W EBLA	10W	70MM	110MM	700 - 1000 LUMENS
TSDLCL 12W EBLA	12W	70MM	110MM	840 - 1200 LUMENS
TSDLCL 14W EBLA	14W	70MM	150MM	1000 - 1400 LUMENS
TSDLCL 18W EBLA	18W	70MM	150MM	1260 - 1800 LUMENS
TSDLCL 28W EBLA	28W	93MM/115MM	150MM/180MM	1960 - 2800 LUMENS
TSDLCL 36W EBLA	36W	93MM/115MM	180MM	2520 - 3600 LUMENS

High-Wattage Surface Spotlight

Designed for double-height ceilings, delivering powerful and focused illumination

Available in IP44 and IP65 options for versatile semi-outdoor and outdoor applications

Medium and wide beam options ensure tailored lighting for different spaces

Combines high performance with clean, architectural design for modern interiors

LED Downlights STRATOS



Product Features

CCT : 2700K/3000K/3500K/4000K/
5000K/6500K/Tunable White/Dim to Warm
CRI : >80/>90/>95
Beam angle : 15°/24°/30°/38°/45°/60°
Body colour : White/Black
Material : Aluminium Die Casting

Mounting : Surface Mounted
Dimming Options : TRIAC, DALI-2 DT6/DT8
IP Protection : IP44/IP65
External additional surge protection : Optional 10kV
Rated life (LM 80) : 50,000 hrs

Wattage tolerance = ±5%
While this catalogue serves as a general guide, specifications and availability may change. Please verify with **THINK** for the latest updates.

STRATOS TECHNICAL DATA



Rated input voltage : 240V AC, 50Hz
Operating input voltage : 100-300V AC, 50Hz
Operating Temperature : -10°C to +45°C
Power factor : >0.90
A-THD : <10%
Driver type : Non Dim, Isolated, Service Life 30,000 Hours at max. temperature
Inbuilt surge protection : CM - DM : 3kV/4kV

STRATOS 40W



MODEL NO. & DESCRIPTION	WATTAGE	OUTER DIAMETER	HEIGHT	TOTAL LUMENS
TRDSLC 40W STRATOS	40	140MM	165MM	2800 - 4000 LUMENS

Mini Surface-Mounted Adjustable Spotlight
 Adjustable head for precise directional illumination
 Wide range of beam angles from very narrow to wide distribution
 Compact design ideal for highlighting in tight or confined spaces
 Clean, contemporary design suited for modern architectural settings

LED Downlights MINOS



Product Features

CCT : 2700K/3000K/3500K/4000K/
 5000K/6500K/Tunable White/Dim to Warm
 CRI : >80/>90/>95
 Beam angle : 5°/8°/10°/15°/24°/36°/50°
 Body colour : White/Black
 Material : Aluminium Die Casting

Mounting : Surface Mounted
 Dimming Options : TRIAC, DALI-2 DT6/DT8
 IP Protection : IP20
 External additional surge protection : Optional 10kV
 Rated life (LM 80) : 50,000 hrs

Wattage tolerance = ±5%
 While this catalogue serves as a general guide, specifications and availability may change. Please verify with **THINK** for the latest updates.

MINOS TECHNICAL DATA



Rated input voltage : 240V AC, 50Hz
 Operating input voltage : 100-300V AC, 50Hz
 Operating Temperature : -10°C to +45°C
 Power factor : >0.90
 A-THD : <10%
 Driver type : Non Dim, Isolated, Service Life 30,000 Hours at max. temperature
 Inbuilt surge protection : CM - DM : 3kV/4kV

MINOS 3W - 6W



MODEL NO. & DESCRIPTION	WATTAGE	OUTER DIAMETER	HEIGHT	TOTAL LUMENS
TSDLCL 3W MINOS	3W	65MM	70MM	210 - 300 LUMENS
TSDLCL 6W MINOS	6W	65MM	70MM	420 - 600 LUMENS

Surface-Mounted Cube Diffused Spotlight

Soft diffused illumination for comfortable, uniform lighting

Available in several beam angles for versatile lighting applications

Sleek cubic form enhances modern architectural interiors

Designed for visual comfort and contemporary aesthetics

LED Downlights VERTEX



Product Features

CCT : 2700K/3000K/3500K/4000K/
5000K/6500K/Tunable White/Dim to Warm
CRI : >80/>90/>95
Beam angle : 15°/30°/45°
Body colour : White/Black
Material : Aluminium Die Casting

Mounting : Surface Mounted
Dimming Options : TRIAC, DALI-2 DT6/DT8
IP Protection : IP20
External additional surge protection : Optional 10kV
Rated life (LM 80) : 50,000 hrs

Wattage tolerance = ±5%

While this catalogue serves as a general guide, specifications and availability may change. Please verify with **THNK** for the latest updates.

VERTEX TECHNICAL DATA



Rated input voltage : 240V AC, 50Hz

Operating input voltage : 100-300V AC, 50Hz

Operating Temperature : -10°C to +45°C

Power factor : >0.90

A-THD : <10%

Driver type : Non Dim, Isolated, Service Life 30,000 Hours at max. temperature

Inbuilt surge protection : CM - DM : 3kV/4kV

VERTEX 6W - 10W



MODEL NO. & DESCRIPTION	WATTAGE	LENGTH x WIDTH	HEIGHT	TOTAL LUMENS
TSDLCL 6W VERTEX	6W	75x75MM	95MM	420 - 600 LUMENS
TSDLCL 10W VERTEX	10W	75x75MM	95MM	700 - 1000 LUMENS

Non Magnetic Track Lights.
Tracklights for precise and reliable illumination.
Available in various wattages and baffle colours.
Sleek, minimal form complements modern architectural spaces.
Ideal for retail, office and hospitality applications.

LED Tracklights NEXIS



Product Features

CCT : 2700K/3000K/3500K/4000K/
5000K/6500K/Tunable White/Dim to Warm
CRI : >80/>90/>95
Beam angle : 36°
Body colour : White/Black/Brown/Custom
Baffle Colour : Piano Black/Chrome/Rose Gold/White
Channel : 2 Wire / 3 Wire

Material : Aluminium Die Casting
Mounting : Surface Mounted
Dimming Options : TRIAC, DALI-2 DT6/DT8
IP Protection : IP20
External additional surge protection : Optional 10kV
Rated life (LM 80) : 50,000 hrs

Wattage tolerance = ±5%
While this catalogue serves as a general guide, specifications and availability may change. Please verify with **THINK** for the latest updates.

NEXIS TECHNICAL DATA



Rated input voltage : 240V AC, 50Hz
Operating input voltage : 100-300V AC, 50Hz
Operating Temperature : -10°C to +45°C
Power factor : >0.90
A-THD : <10%
Driver type : Non Dim, Isolated, Service Life 30,000 Hours at max. temperature
Inbuilt surge protection : CM - DM : 3kV/4kV

NEXIS 12-18W



MODEL NO. & DESCRIPTION	WATTAGE	OUTER DIAMETER	HEIGHT	TOTAL LUMENS
TSDLCL 12W NEXIS	12	70MM	150MM	960 - 1200 LUMENS
TSDLCL 14W NEXIS	14	70MM	150MM	1000 - 1400 LUMRNS
TSDLCL 18W NEXIS	18	70MM	150MM	1440 - 1800 LUMENS

LED Workspace Lighting



Panel & Ceiling Lights

Uniform, diffused illumination for workspaces

Energy-efficient with high luminaire efficacy

Available in standard and custom sizes

Ideal for open offices, meeting rooms, and collaborative spaces

LED Workspace Lighting

WORKWISE GLOW



Product Features

CCT : 3000K/4000K/5700K/6500K/Tuneable White

CRI : >80, >90

Beam Angle : Diffused / Low UGR

Surface Mounted/Recessed

High Quality CRCA

Highly Efficient SMD LED Chips

IP Protection : IP20, IK02

External additional surge protection : Optional 10kV

Rated life (LM 80) : 50,000 hrs

Wattage tolerance = ±5%

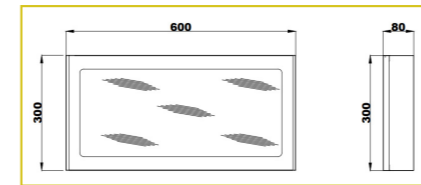
While this catalogue serves as a general guide, specifications and availability may change. Please verify with **THINK** for the latest updates.

WORKWISE GLOW TECHNICAL DATA



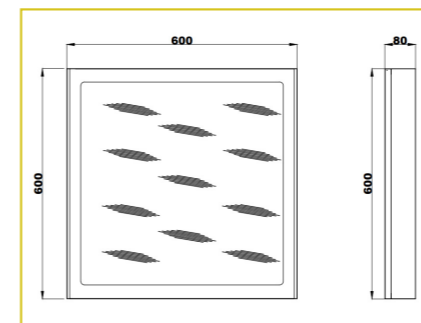
Rated input voltage : 240V AC, 50Hz
 Operating input voltage : 100-300V AC, 50Hz
 Operating Temperature : -10°C to +45°C
 Power factor : >0.90
 A-THD : <10%
 Driver type : Non Dim, Isolated, Service Life 30,000 Hours at max. temperature
 Inbuilt surge protection : CM - DM : 4kV

WORKWISE GLOW 2x1 - SURFACE



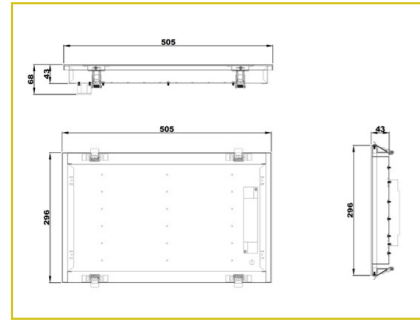
MODEL NO. & DESCRIPTION	WATTAGE	CRI	CCT	TOTAL LUMENS
TSDLCL 18W 2x1 WORKWISE GLOW	18W	80+	4000K	2160 LUMENS

WORKWISE GLOW 2x2 - SURFACE



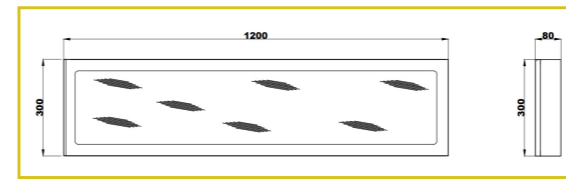
MODEL NO. & DESCRIPTION	WATTAGE	CRI	CCT	TOTAL LUMENS
TSDLCL 28W 2x2 WORKWISE GLOW	28W	80+	4000K	2160 LUMENS
TSDLCL 36W 2x2 WORKWISE GLOW	36W	80+	4000K	4320 LUMENS

WORKWISE 2x1 - RECESS GLOW



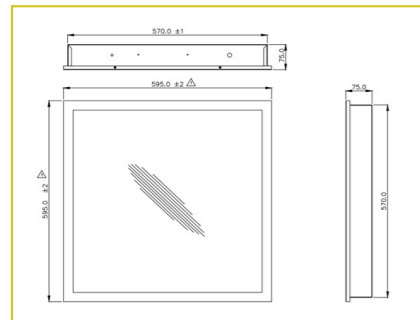
MODEL NO. & DESCRIPTION	WATTAGE	CRI	CCT	TOTAL LUMENS
TRDSLCL 18W 2x1 WORKWISE GLOW	18W	80+	4000K	2160 LUMENS
TRDSLCL 20W 2x1 WORKWISE GLOW	20W	80+	4000K	2400 LUMENS

WORKWISE 4x1 - SURFACE GLOW



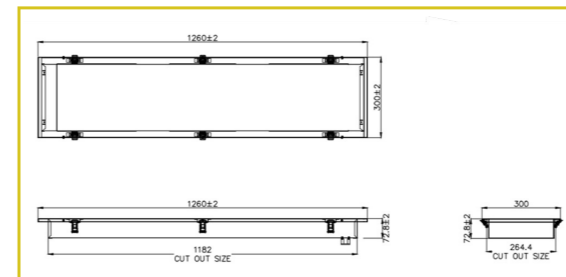
MODEL NO. & DESCRIPTION	WATTAGE	CRI	CCT	TOTAL LUMENS
TSDLCL 28W 4x1 WORKWISE GLOW	28W	80+	4000K	2160 LUMENS
TSDLCL 36W 4x1 WORKWISE GLOW	36W	80+	4000K	4320 LUMENS

WORKWISE 2x2 - RECESS GLOW



MODEL NO. & DESCRIPTION	WATTAGE	CRI	CCT	TOTAL LUMENS
TRDSLCL 28W 2x2 WORKWISE GLOW	28W	80+	4000K	2160 LUMENS
TRDSLCL 36W 2x2 WORKWISE GLOW	36W	80+	4000K	4320 LUMENS
TRDSLCL 40W 2x2 WORKWISE GLOW	40W	80+	4000K	4800 LUMENS

WORKWISE 4x1 - RECESS GLOW



MODEL NO. & DESCRIPTION	WATTAGE	CRI	CCT	TOTAL LUMENS
TRDSLCL 28W 4X1 WORKWISE GLOW	28W	80+	4000K	2160 LUMENS
TRDSLCL 36W 4X1 WORKWISE GLOW	36W	80+	4000K	4320 LUMENS
TRDSLCL 40W 4X1 WORKWISE GLOW	40W	80+	4000K	4800 LUMENS

Linear Continuous Lighting

Seamless illumination for corridors, offices, and commercial layouts

Modular design for flexible lengths and layouts

High uniformity and glare-controlled optics

Suitable for suspended, recessed, or surface mounting

LED Workspace Lighting

WORKWISE LINE



Product Features

CCT : 3000K/4000K/5700K/6500K/Tuneable White

CRI : >80,>90

Beam Angle : Diffused, Low UGR, Narrow Beam, Up/Down

Surface Mounted/Recessed

Customized Lengths & Shapes Available

High Quality Aluminum Extrusion

Highly Efficient SMD LED Chips

IP Protection : IP20, IK02

External additional surge protection : Optional 10kV

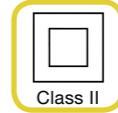
Rated life (LM 80) : 50,000 hrs

Wattage tolerance = ±5%

While this catalogue serves as a general guide, specifications and availability may change. Please verify with **THINK** for the latest updates.

WORKWISE TECHNICAL DATA

LINE



Rated input voltage : 240V AC, 50Hz

Operating input voltage : 100-300V AC, 50Hz

Operating Temperature : -10°C to +45°C

Power factor : >0.90

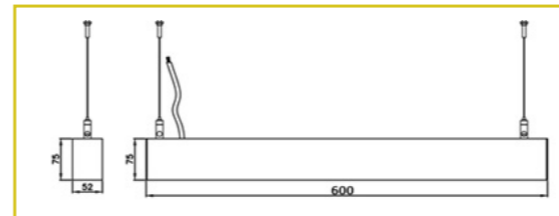
A-THD : <10%

Driver type : Non Dim, Isolated, Service Life 30,000 Hours at max. temperature

Inbuilt surge protection : CM - DM : 4kV

WORKWISE LINEAR 2ft - SURFACE

LINE



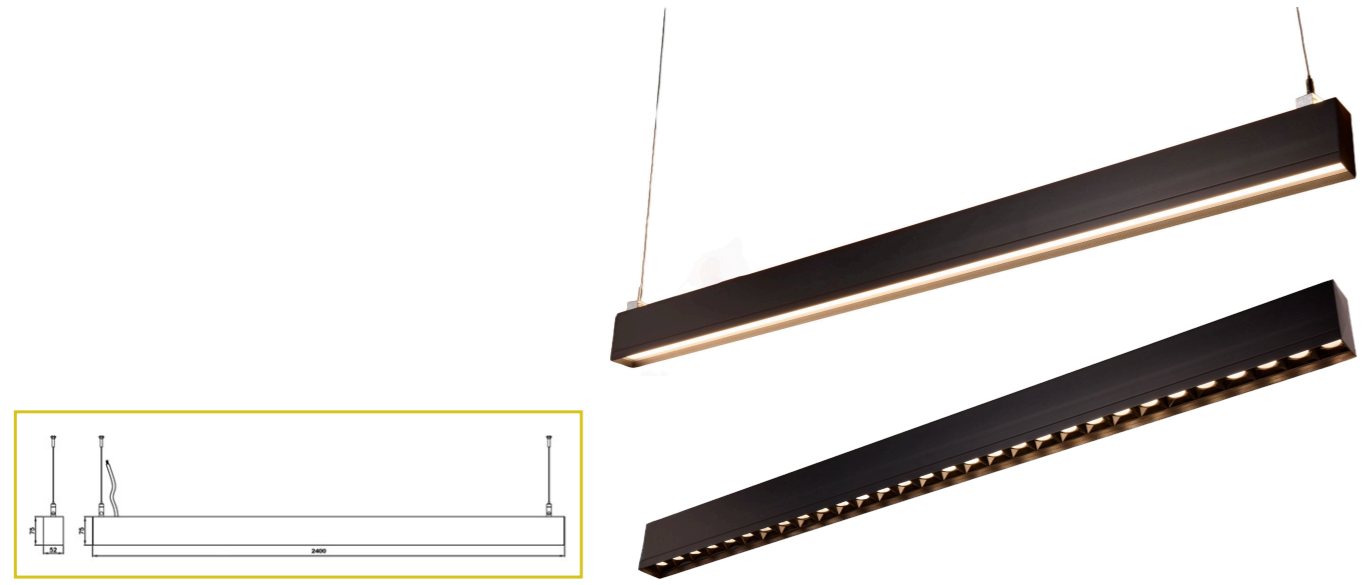
MODEL NO. & DESCRIPTION	WATTAGE	CRI	CCT	TOTAL LUMENS
TSDLCL 10W WORKWISE LINE 5070 2FT	10W	80+	4000K	1100 LUMENS
TSDLCL 12W WORKWISE LINE 5070 2FT	12W	80+	4000K	1320 LUMENS
TSDLCL 14W WORKWISE LINE 5070 2FT	14W	80+	4000K	1540 LUMENS

WORKWISE LINE 4ft - SURFACE



MODEL NO & DESCRIPTION	WATTAGE	CRI	CCT	TOTAL LUMENS
TSDLCL 18W WORKWISE LINE 5070 4FT	18W	80+	4000K	1980 LUMENS
TSDLCL 28W WORKWISE LINE 5070 4FT	28W	80+	4000K	3080 LUMENS
TSDLCL 36W WORKWISE LINE 5070 4FT	36W	80+	4000K	3960 LUMENS

WORKWISE LINE 8ft - SURFACE

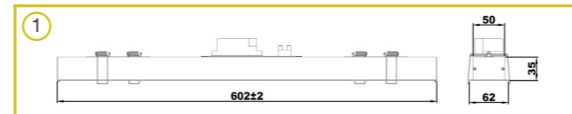
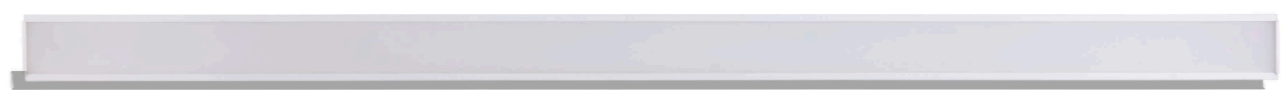


MODEL NO. & DESCRIPTION	WATTAGE	CRI	CCT	TOTAL LUMENS
TSDLCL 56W WORKWISE LINE 5070 8FT	56W	80+	4000K	6160 LUMENS
TSDLCL 72W WORKWISE LINE 5070 8FT	72W	80+	4000K	7920 LUMENS

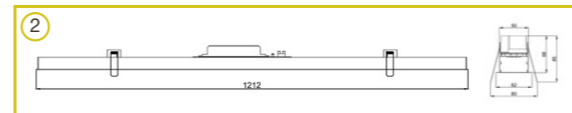
WORKWISE LINEAR 2ft - RECESS

LINEAR 4ft - RECESS

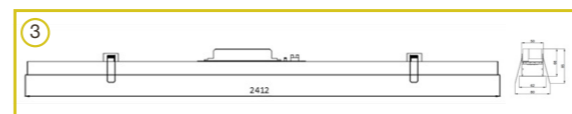
LINEAR 8ft - RECESS



MODEL NO. & DESCRIPTION	WATTAGE	CRI	CCT	TOTAL LUMENS
TRDSLCL 10W WORKWISE LINE 5070 2FT	10W	80+	4000K	1100 LUMENS
TRDSLCL 12W WORKWISE LINE 5070 2FT	12W	80+	4000K	1320 LUMENS
TRDSLCL 14W WORKWISE LINE 5070 2FT	14W	80+	4000K	1540 LUMENS



MODEL NO. & DESCRIPTION	WATTAGE	CRI	CCT	TOTAL LUMENS
TRDSLCL 18W WORKWISE LINE 5070 4FT	18W	80+	4000K	1980 LUMENS
TRDSLCL 20W WORKWISE LINE 5070 4FT	20W	80+	4000K	2200 LUMENS
TRDSLCL 25W WORKWISE LINE 5070 4FT	25W	80+	4000K	2750 LUMENS
TRDSLCL 28W WORKWISE LINE 5070 4FT	28W	80+	4000K	3080 LUMENS
TRDSLCL 36W WORKWISE LINE 5070 4FT	36W	80+	4000K	3960 LUMENS
TRDSLCL 40W WORKWISE LINE 5070 4FT	40W	80+	4000K	4400 LUMENS



MODEL NO. & DESCRIPTION	WATTAGE	CRI	CCT	TOTAL LUMENS
TRDSLCL 40W WORKWISE LINE 8FT	40W	80+	4000K	4400 LUMENS
TRDSLCL 56W WORKWISE LINE 8FT	56W	80+	4000K	6160 LUMENS
TRDSLCL 72W WORKWISE LINE 8FT	72W	80+	4000K	7920 LUMENS
TRDSLCL 80W WORKWISE LINE 8FT	80W	80+	4000K	8800 LUMENS

Wattage tolerance = ±5%
While this catalogue serves as a general guide, specifications and availability may change. Please verify with **THINK** for the latest updates.

Circular Ring Luminaires

Modern ring-shaped design ideal for offices, meeting rooms, and collaborative spaces

Available in various diameters, wattages, and color temperatures

Sleek surface-mounted or suspended options for architectural appeal

High luminaire efficacy with uniform, glare-free illumination

LED Workspace Lighting

WORKWISE HALO



Product Features

- CCT : 3000K/4000K/5700K/6500K/Tuneable White
- CRI : >80,>90
- Beam Angle : Diffused,Low UGR
- Surface Mounted/Suspended
- Customized Diameters Available
- High Quality Aluminum
- Highly Efficient SMD LED Chips
- IP Protection : IP20, IK02
- External additional surge protection : Optional 10kV
- Rated life (LM 80) : 50,000 hrs

Wattage tolerance = ±5%
While this catalogue serves as a general guide, specifications and availability may change. Please verify with **THNK** for the latest updates.

WORKWISE TECHNICAL DATA HALO

IP
20

BIS

Class II

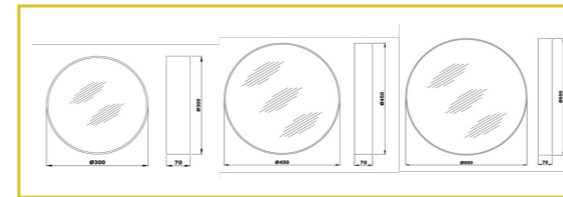
RoHS

LOW UGR

50000
hours
Lifetime

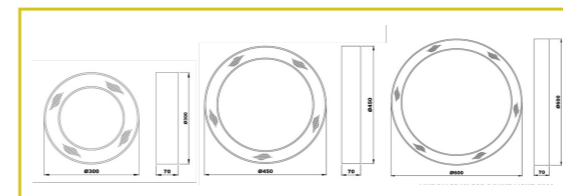
Rated input voltage : 240V AC, 50Hz
 Operating input voltage : 100-300V AC, 50Hz
 Operating Temperature : -10°C to +45°C
 Power factor : >0.90
 A-THD : <10%
 Driver type : Non Dim, Isolated, Service Life 30,000 Hours at max. temperature
 Inbuilt surge protection : CM - DM : 4kV

WORKWISE MOON HALO



MODEL NO. & DESCRIPTION	WATTAGE	CRI	CCT	TOTAL LUMENS
TSDLCL 18W WORKWISE 300 HALO MOON	18W	80+	4000K	1800 LUMENS
TSDLCL 28W WORKWISE 450 HALO MOON	28W	80+	4000K	2800 LUMENS
TSDLCL 36W WORKWISE 600 HALO MOON	36W	80+	4000K	3600 LUMENS
TSDLCL 56W WORKWISE 750 HALO MOON	56W	80+	4000K	5600 LUMENS
TSDLCL 72W WORKWISE 900 HALO MOON	72W	80+	4000K	7200 LUMENS

WORKWISE DONUT HALO



MODEL NO. & DESCRIPTION	WATTAGE	CRI	CCT	TOTAL LUMENS
TSDLCL 18W WORKWISE 300 HALO DONUT	18W	80+	4000K	1440 LUMENS
TSDLCL 28W WORKWISE 450 HALO DONUT	28W	80+	4000K	2240 LUMENS
TSDLCL 36W WORKWISE 600 HALO DONUT	36W	80+	4000K	2880 LUMENS
TSDLCL 56W WORKWISE 750 HALO DONUT	56W	80+	4000K	4480 LUMENS
TSDLCL 72W WORKWISE 900 HALO DONUT	72W	80+	4000K	5760 LUMENS

LED Highbays



- Economical Highbay for Warehousing
- Cost-effective design ideal for warehousing and storage facilities
- Best-in-class luminaire efficacy for reduced energy costs
- Uniform 90° distribution pattern ensures consistent illumination
- Wide wattage range from 80W to 200W for flexible use

LED Highbays BAYLITE



Product Features

- Efficacy 120 Lumens/Watt
- Microwave Sensor Option(Non-Integral)
- CCT : 5700K
- CRI : >70
- Beam Angle : 60°/90°
- Spiral Lens
- High Quality Aluminium Die Cast
- Highly Efficient SMD LED chips
- IP Protection : IP66, IK08
- External additional surge protection : Optional 10kV
- Rated life (LM 80) : 50,000 hrs

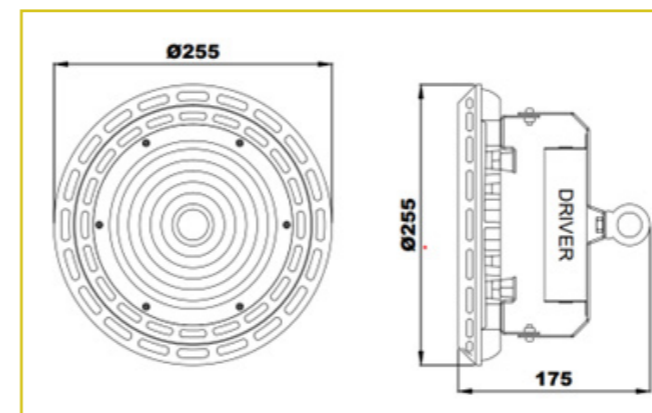
Wattage tolerance = ±5%
While this catalogue serves as a general guide, specifications and availability may change. Please verify with **THINK** for the latest updates.

BAYLITE TECHNICAL DATA



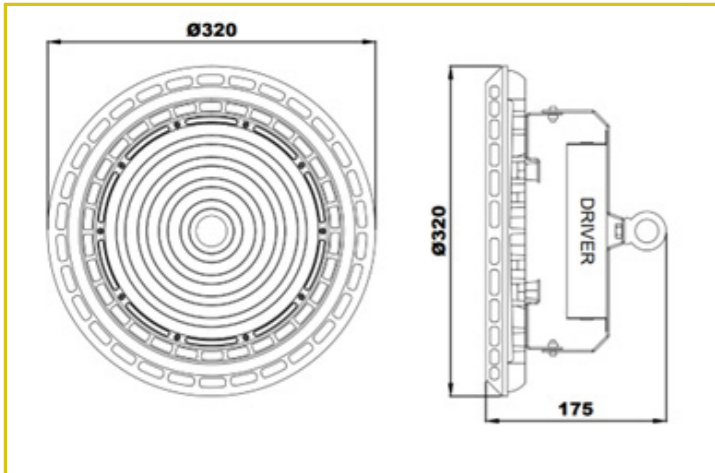
Rated input voltage : 240V AC, 50Hz
 Operating input voltage : 100-300V AC, 50Hz
 Operating Temperature : -10°C to +45°C
 Power factor : >0.90
 A-THD : <10%
 Driver type : Non Dim, Isolated, Service Life 30,000 Hours at max. temperature
 Inbuilt surge protection : CM - DM : 4kV/6kV

BAYLITE 80W - 100W



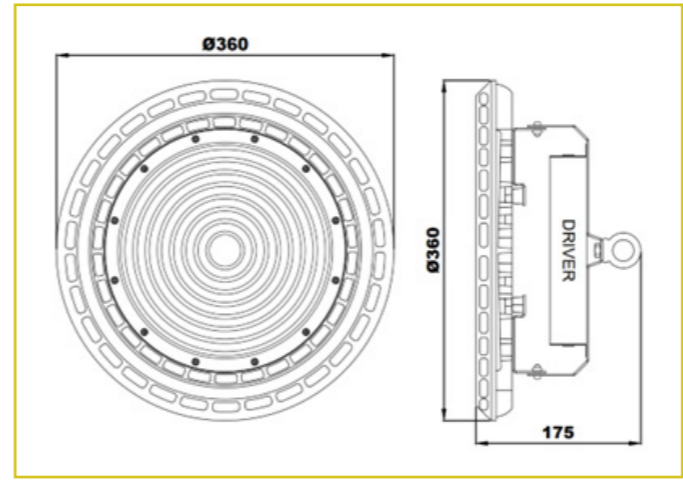
MODEL NO. & DESCRIPTION	WATTAGE	CRI	CCT	TOTAL LUMENS	SPD
TFTHL 80W BAYLITE	80W	70+	5700K	9600 LUMENS	OPTIONAL : EXTERNAL
TFTHL 100W BAYLITE	100W	70+	5700K	12000 LUMENS	OPTIONAL : EXTERNAL

BAYLITE 120W - 150W



MODEL NO. & DESCRIPTION	WATTAGE	CRI	CCT	TOTAL LUMENS	SPD
TFTHL 120W BAYLITE	120W	70+	5700K	14400 LUMENS	OPTIONAL : EXTERNAL
TFTHL 150W BAYLITE	150W	70+	5700K	18000 LUMENS	OPTIONAL : EXTERNAL

BAYLITE 180W - 200W



MODEL NO. & DESCRIPTION	WATTAGE	CRI	CCT	TOTAL LUMENS	SPD
TFTHL 180W BAYLITE	180W	70+	5700K	21600 LUMENS	OPTIONAL : EXTERNAL
TFTHL 200W BAYLITE	200W	70+	5700K	24000 LUMENS	OPTIONAL : EXTERNAL

Wattage tolerance = ±5%
While this catalogue serves as a general guide, specifications and availability may change. Please verify with **THNK** for the latest updates.

Versatile Industrial Highbay

Button-lens design delivers glare free light distribution options

High luminaire efficacy for superior energy efficiency

Engineered for demanding industrial and commercial applications

Wide wattage range from 80W to 200W for flexible use

LED Highbays BAYRUNNER



Product Features

Efficacy 120 Lumens/Watt

Microwave Sensor Option(Non-Integral)

CCT : 5700K

CRI : >70

Beam Angle : 90°

Button Lens

High Quality Aluminium Die Cast

Highly Efficient SMD LED chips

IP Protection : IP66, IK08

External additional surge protection : Optional 10kV

Rated life (LM 80) : 50,000 hrs

Wattage tolerance = ±5%

While this catalogue serves as a general guide, specifications and availability may change. Please verify with **THINK** for the latest updates.

BAYRUNNER TECHNICAL DATA



Rated input voltage : 240V AC, 50Hz

Operating input voltage : 100-300V AC, 50Hz

Operating Temperature : -10°C to +45°C

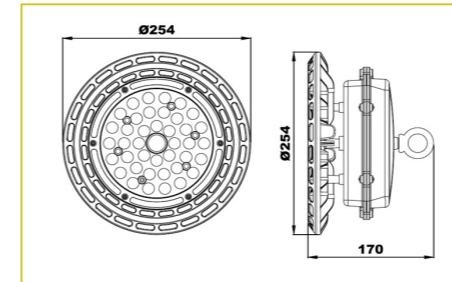
Power factor : >0.90

A-THD : <10%

Driver type : Non Dim, Isolated, Service Life 30,000 Hours at max. temperature

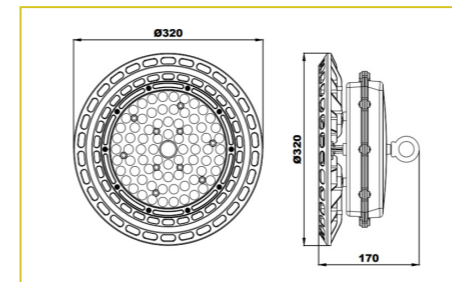
Inbuilt surge protection : CM - DM : 4kV/6kV

BAYRUNNER 80W - 100W



MODEL NO. & DESCRIPTION	WATTAGE	CRI	CCT	TOTAL LUMENS	SPD
TFTHL 80W BAYRUNNER	80W	70+	5700K	9600 LUMENS	OPTIONAL : EXTERNAL
TFTHL 100W BAYRUNNER	100W	70+	5700K	12000 LUMENS	OPTIONAL : EXTERNAL

BAYRUNNER 120W - 150W



MODEL NO. & DESCRIPTION	WATTAGE	CRI	CCT	TOTAL LUMENS	SPD
TFTHL 120W BAYRUNNER	120W	70+	5700K	14400 LUMENS	OPTIONAL : EXTERNAL
TFTHL 150W BAYRUNNER	150W	70+	5700K	18000 LUMENS	OPTIONAL : EXTERNAL

- High-Performance Industrial Highbay
- Glass-front design built for demanding industrial environments
- Best-in-class luminaire efficacy for maximum energy savings
- Precision beam angles to suit various applications
- Wide wattage range from 80W to 200W for flexible use

LED Highbays BAYPRO



Product Features

- Efficacy 110 Lumens/Watt
- Microwave Sensor Option(Non-Integral)
- CCT : 5700K
- CRI : >70
- Beam Angle : 60°/90°
- Button Lens + Glass
- High Quality Aluminium Die Cast
- Highly Efficient SMD LED chips
- IP Protection : IP66, IK08
- External additional surge protection : Optional 10kV
- Rated life (LM 80) : 50,000 hrs

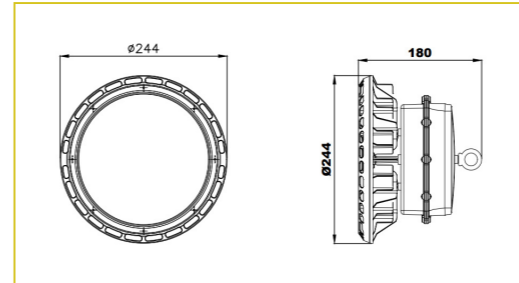
Wattage tolerance = ±5%
While this catalogue serves as a general guide, specifications and availability may change. Please verify with **THINK** for the latest updates.

BAYPRO TECHNICAL DATA



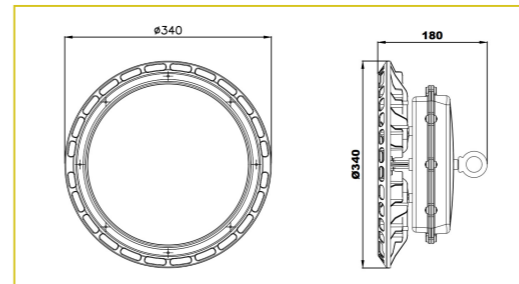
Rated input voltage : 240V AC, 50Hz
 Operating input voltage : 100-300V AC, 50Hz
 Operating Temperature : -10°C to +45°C
 Power factor : >0.90
 A-THD : <10%
 Driver type : Non Dim, Isolated, Service Life 30,000 Hours at max. temperature
 Inbuilt surge protection : CM - DM : 4kV/6kV

BAYPRO 80W - 100W



MODEL NO. & DESCRIPTION	WATTAGE	CRI	CCT	TOTAL LUMENS	SPD
TFTHL 80W BAYPRO	80W	70+	5700K	8800 LUMENS	OPTIONAL : EXTERNAL
TFTHL 100W BAYPRO	100W	70+	5700K	11000 LUMENS	OPTIONAL : EXTERNAL

BAYPRO 120W - 200W



MODEL NO. & DESCRIPTION	WATTAGE	CRI	CCT	TOTAL LUMENS	SPD
TFTHL 120W BAYPRO	120W	70+	5700K	13200 LUMENS	OPTIONAL : EXTERNAL
TFTHL 150W BAYPRO	150W	70+	5700K	16500 LUMENS	OPTIONAL : EXTERNAL
TFTHL 180W BAYPRO	180W	70+	5700K	19800 LUMENS	OPTIONAL : EXTERNAL
TFTHL 200W BAYPRO	200W	70+	5700K	22000 LUMENS	OPTIONAL : EXTERNAL

LED Floodlights



High-Performance Floodlight

IP66 and IK08 protection for durability in demanding outdoor conditions

High lumen efficacy with a wide range of distribution patterns

Glass-with-lens design ensures superior light quality and control

Advanced heat sink for long-lasting efficiency and performance

LED Floodlights FLOODPRO



Product Features

Efficacy 120+ Lumens/Watt

CCT : 5700K

CRI : >70

Beam Angle : 30°/60°/90°

Lens + Glass / Only Glass Option

High Quality Aluminium Die Cast

Highly Efficient 5050 SMD LED chips

IP Protection : IP66, IK08

External additional surge protection : Optional 10kV

Rated life (LM 80) : 50,000 hrs

Wattage tolerance = ±5%

While this catalogue serves as a general guide, specifications and availability may change. Please verify with **THINK** for the latest updates.

FLOODPRO TECHNICAL DATA



Rated input voltage : 240V AC, 50Hz

Operating input voltage : 100-300V AC, 50Hz

Operating Temperature : -10°C to +45°C

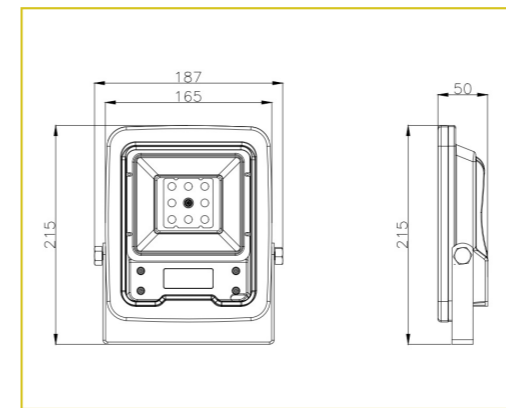
Power factor : >0.90

A-THD : <10%

Driver type : Non Dim, Isolated, Service Life 30,000 Hours at max. temperature

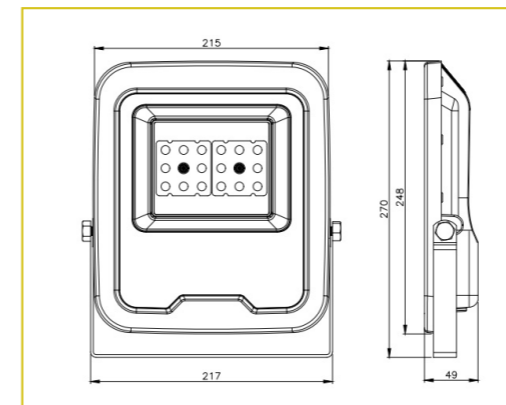
Inbuilt surge protection : CM - DM : 4kV/6kV

FLOODPRO 20W - 30W



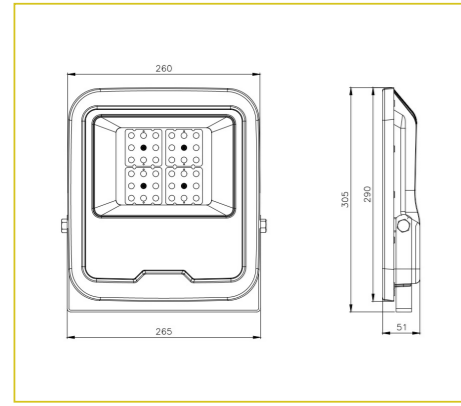
MODEL NO. & DESCRIPTION	WATTAGE	CRI	CCT	TOTAL LUMENS	SPD
TFTHL 20W FLOODPRO	20W	70+	5700K	2600 LUMENS	OPTIONAL : EXTERNAL
TFTHL 30W FLOODPRO	30W	70+	5700K	3900 LUMENS	OPTIONAL : EXTERNAL

FLOODPRO 50W



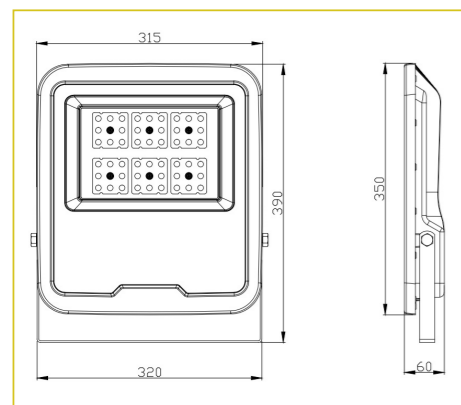
MODEL NO. & DESCRIPTION	WATTAGE	CRI	CCT	TOTAL LUMENS	SPD
TFTHL 50W FLOODPRO	50W	70+	5700K	6500 LUMENS	OPTIONAL : EXTERNAL

FLOODPRO 80W - 100W



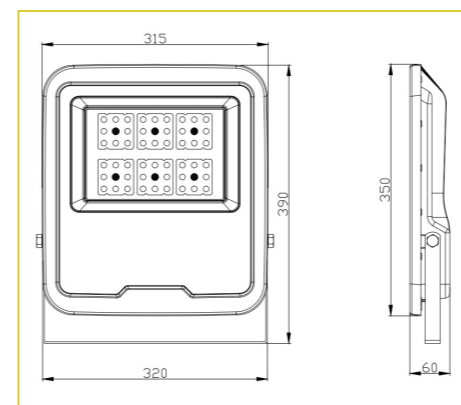
MODEL NO. & DESCRIPTION	WATTAGE	CRI	CCT	TOTAL LUMENS	SPD
TFTHL 80W FLOODPRO	80W	70+	5700K	10400 LUMENS	INBUILT 10KV
TFTHL 100W FLOODPRO	100W	70+	5700K	13000 LUMENS	INBUILT 10KV

FLOODPRO 120W - 200W



MODEL NO. & DESCRIPTION	WATTAGE	CRI	CCT	TOTAL LUMENS	SPD
TFTHL 120W FLOODPRO	120W	70+	5700K	15600 LUMENS	INBUILT 10KV
TFTHL 150W FLOODPRO	150W	70+	5700K	19500 LUMENS	INBUILT 10KV
TFTHL 180W FLOODPRO	180W	70+	5700K	23400 LUMENS	INBUILT 10KV
TFTHL 200W FLOODPRO	200W	70+	5700K	26000 LUMENS	INBUILT 10KV

FLOODPRO 250W



MODEL NO. & DESCRIPTION	WATTAGE	CRI	CCT	TOTAL LUMENS	SPD
TFTHL 250W FLOODPRO	250W	70+	5700K	32500 LUMENS	INBUILT 10KV

Wattage tolerance = ±5%
 While this catalogue serves as a general guide, specifications and availability may change. Please verify with **THNK** for the latest updates.

Economical Outdoor Floodlight

Wattage range from 20W to 250W for versatile outdoor use

Wide 120° beam angle for uniform general lighting

Glass design without lens for simple, effective illumination

IP66 and IK08 protection ensures durability and reliability

LED Floodlights FLOODFORCE



Product Features

Efficacy 120+ Lumens/Watt

CCT : 5700K

CRI : >70

Beam Angle : 120°

Toughened Glass

High Quality Aluminium Die Cast

Highly Efficient SMD LED chips

IP Protection : IP66, IK08

External additional surge protection : Optional 10kV

Rated life (LM 80) : 50,000 hrs

Wattage tolerance = ±5%

While this catalogue serves as a general guide, specifications and availability may change. Please verify with **THINK** for the latest updates.

FLOODFORCE TECHNICAL DATA



Rated input voltage : 240V AC, 50Hz

Operating input voltage : 100-300V AC, 50Hz

Operating Temperature : -10°C to +45°C

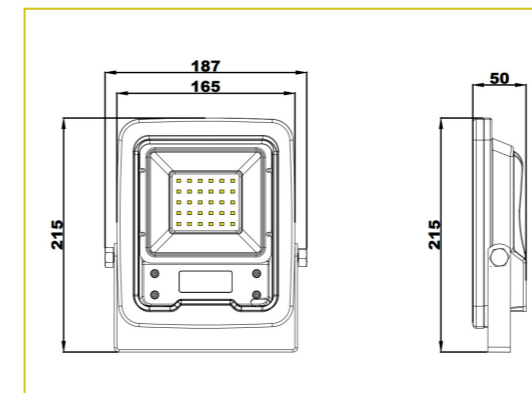
Power factor : >0.90

A-THD : <10%

Driver type : Non Dim, Isolated, Service Life 30,000 Hours at max. temperature

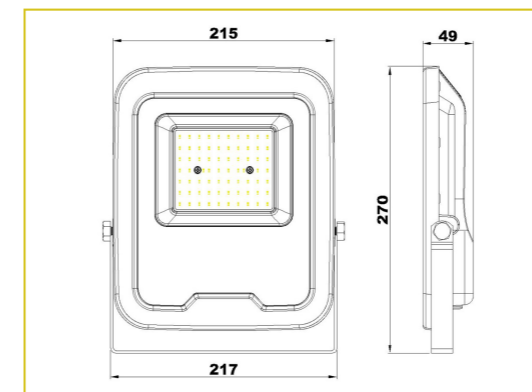
Inbuilt surge protection : CM - DM : 4kV/6kV

FLOODFORCE 20W - 30W



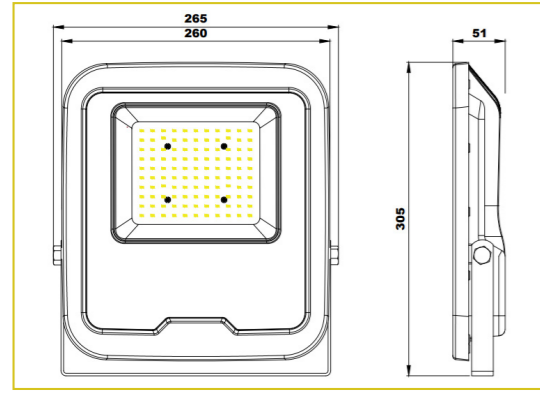
MODEL NO. & DESCRIPTION	WATTAGE	CRI	CCT	TOTAL LUMENS	SPD
TFTHL 20W FLOODFORCE	20W	70+	5700K	2400 LUMENS	OPTIONAL : EXTERNAL
TFTHL 30W FLOODFORCE	30W	70+	5700K	3600 LUMENS	OPTIONAL : EXTERNAL

FLOODFORCE 50W



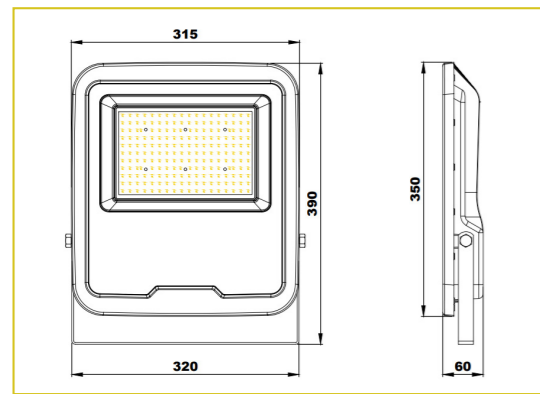
MODEL NO. & DESCRIPTION	WATTAGE	CRI	CCT	TOTAL LUMENS	SPD
TFTHL 50W FLOODFORCE	50W	70+	5700K	6000 LUMENS	OPTIONAL : EXTERNAL

FLOODFORCE 80W - 100W



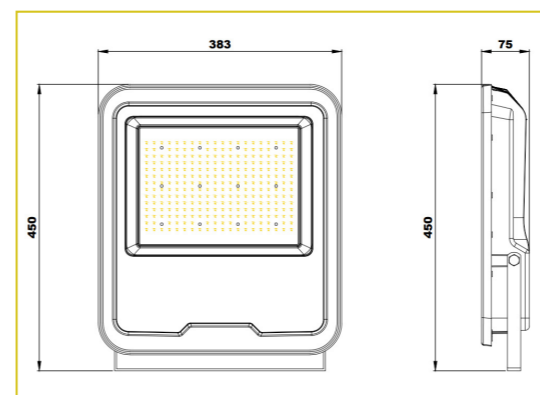
MODEL NO. & DESCRIPTION	WATTAGE	CRI	CCT	TOTAL LUMENS	SPD
TFTHL 80W FLOODFORCE	80W	70+	5700K	9600 LUMENS	INBUILT 10KV
TFTHL 100W FLOODFORCE	100W	70+	5700K	12000 LUMENS	INBUILT 10KV

FLOODFORCE 120W - 200W



MODEL NO. & DESCRIPTION	WATTAGE	CRI	CCT	TOTAL LUMENS	SPD
TFTHL 120W FLOODFORCE	120W	70+	5700K	14400 LUMENS	INBUILT 10KV
TFTHL 150W FLOODFORCE	150W	70+	5700K	18000 LUMENS	INBUILT 10KV
TFTHL 180W FLOODFORCE	180W	70+	5700K	21600 LUMENS	INBUILT 10KV
TFTHL 200W FLOODFORCE	200W	70+	5700K	24000 LUMENS	INBUILT 10KV

FLOODFORCE 250W



MODEL NO. & DESCRIPTION	WATTAGE	CRI	CCT	TOTAL LUMENS	SPD
TFTHL 250W FLOODFORCE	250W	70+	5700K	30000 LUMENS	INBUILT 10KV

Wattage tolerance = ±5%
While this catalogue serves as a general guide, specifications and availability may change. Please verify with **THNK** for the latest updates.

Professional Sports Floodlight

Wattage range from 300W to 500W designed for large-scale sports applications

Specialized optical lenses tailored for every sporting requirement

IP66 and IK08 protection ensures durability in demanding environments

Delivers high-performance, uniform lighting for stadiums and arenas

LED Floodlights FIELDPRO



Product Features

Efficacy 130 Lumens/Watt

CCT : 5700K

CRI : >70

Beam Angle : 30°/60°/90°/Sports Lens

Lens + Glass - Sports Lighting

High Quality Aluminium Die Cast

Highly Efficient SMD LED chips

IP Protection : IP66, IK08

External additional surge protection : Optional 10kV

Rated life (LM 80) : 50,000 hrs

Wattage tolerance = ±5%

While this catalogue serves as a general guide, specifications and availability may change. Please verify with **THINK** for the latest updates.

FIELDPRO TECHNICAL DATA



Rated input voltage : 240V AC, 50Hz

Operating input voltage : 100-300V AC, 50Hz

Operating Temperature : -10°C to +45°C

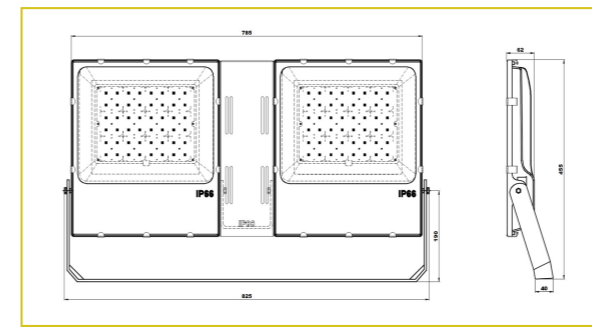
Power factor : >0.90

A-THD : <10%

Driver type : Non Dim, Isolated, Service Life 30,000 Hours at max. temperature

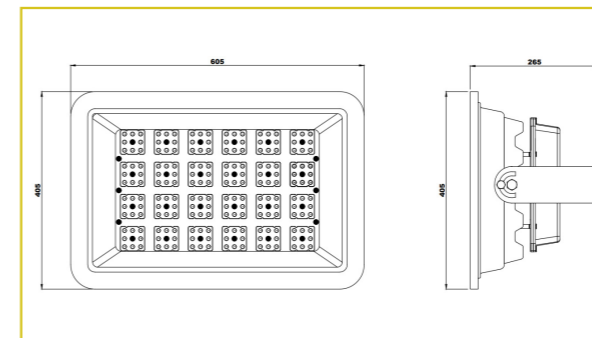
Inbuilt surge protection : CM - DM : 4kV/6kV

FIELDPRO 300W - 400W



MODEL NO. & DESCRIPTION	WATTAGE	CRI	CCT	TOTAL LUMENS	SPD
TFTHL 300W FIELDPRO	300W	70+	5700K	39000 LUMENS	INBUILT 10KV
TFTHL 350W FIELDPRO	350W	70+	5700K	45500 LUMENS	INBUILT 10KV
TFTHL 400W FIELDPRO	400W	70+	5700K	52000 LUMENS	INBUILT 10KV

FIELDPRO 500W



MODEL NO. & DESCRIPTION	WATTAGE	CRI	CCT	TOTAL LUMENS	SPD
TFTHL 500W FIELDPRO	500W	70+	5700K	65000 LUMENS	INBUILT 10KV

Stadium & Sports Floodlight

High-power floodlight designed for professional stadium and sports lighting

Specialized optics ensure uniform illumination and superior glare control

Wattage range extends beyond standard FieldPro for large-scale arenas

Rugged IP66 and IK08 construction guarantees reliable performance in demanding outdoor conditions

LED Floodlights FIELDPRO MAX



Product Features

Efficacy 130 Lumens/Watt

CCT : 5700K

CRI : >70

Beam Angle : 15°/ 30°/60°/90°/Sports Lens

Stadium Lighting

High Quality Aluminium Die Cast

Highly Efficient SMD LED chips

IP Protection : IP66, IK08

External additional surge protection : Optional 10kV

Rated life (LM 80) : 50,000 hrs

Wattage tolerance = ±5%

While this catalogue serves as a general guide, specifications and availability may change. Please verify with **THNK** for the latest updates.

FIELDPRO MAX TECHNICAL DATA

IP
66

BIS

Class I

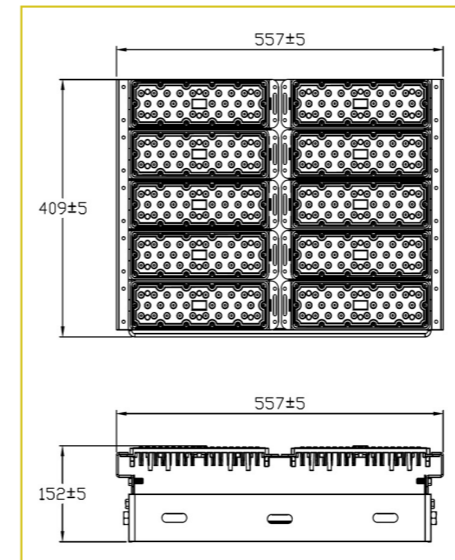
RoHS

50000
hours
Lifetime

Rated input voltage : 240V AC, 50Hz
 Operating input voltage : 100-300V AC, 50Hz
 Operating Temperature : -10°C to +45°C
 Power factor : >0.90
 A-THD : <10%
 Driver type : Non Dim, Isolated, Service Life 30,000 Hours at max. temperature
 Inbuilt surge protection : CM - DM : 4kV/6kV



FIELDPRO MAX 500W - 1000W



MODEL NO. & DESCRIPTION	WATTAGE	CRI	CCT	TOTAL LUMENS	SPD
TFTHL 500W FIELDPRO MAX	500W	70+	5700K	65000 LUMENS	INBUILT 10KV
TFTHL 500W X2 FIELDPRO MAX	1000W	70+	5700K	130000 LUMENS	INBUILT 10KV

Architectural Facade Light

Wattage range from 20W to 100W with multiple narrow beam options

Perfect for wall grazing and highlighting architectural details

Customizable to meet specific design and project requirements

IP66 and IK08 protection for reliable outdoor performance

LED Floodlights GLEAMLIN



Product Features

Efficacy 100 Lumens/Watt

CCT : 5700K

CRI : >70

Beam Angle : 9°

Ideal for Fascade Lighting

High Quality Aluminium Die Cast

Highly Efficient SMD LED chips

IP Protection : IP66, IK08

External additional surge protection : Optional 10kV

Rated life (LM 80) : 50,000 hrs

Wattage tolerance = ±5%

While this catalogue serves as a general guide, specifications and availability may change. Please verify with **THNK** for the latest updates.

GLEAMLIN TECHNICAL DATA



Rated input voltage : 240V AC, 50Hz

Operating input voltage : 100-300V AC, 50Hz

Operating Temperature : -10°C to +45°C

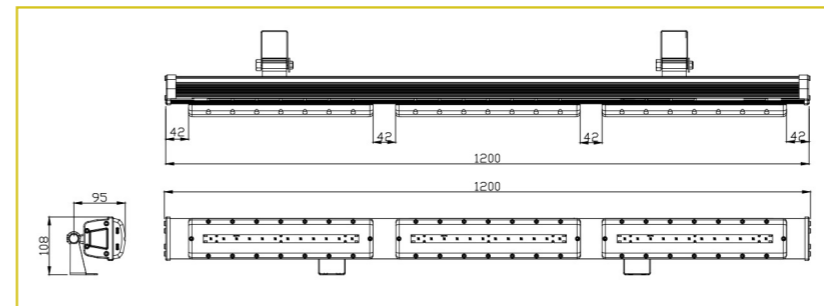
Power factor : >0.90

A-THD : <10%

Driver type : Non Dim, Isolated, Service Life 30,000 Hours at max. temperature

Inbuilt surge protection : CM - DM : 4kV/6kV

GLEAMLIN 20W - 100W



MODEL NO. & DESCRIPTION	WATTAGE	CRI	CCT	TOTAL LUMENS	SPD
TFTHL 20W GLEAMLIN	20W	70+	5700K	2000 LUMENS	OPTIONAL INBUILT 10KV
TFTHL 30W GLEAMLIN	30W	70+	5700K	3000 LUMENS	OPTIONAL INBUILT 10KV
TFTHL 50W GLEAMLIN	50W	70+	5700K	5000 LUMENS	OPTIONAL INBUILT 10KV
TFTHL 80W GLEAMLIN	80W	70+	5700K	8000 LUMENS	INBUILT 10KV
TFTHL 100W GLEAMLIN	100W	70+	5700K	10000 LUMENS	INBUILT 10KV

Modular High-Power Floodlight

Wattage range from 20W to 600W with modular scalability

Unique tiltable design for flexible aiming and precision lighting

Wide optical options ideal for tunnels, warehouses, sports centers, and large open areas

IP66 and IK08 protection ensures reliable outdoor performance

LED Floodlights GLOWTRAIL



Product Features

Efficacy 130 Lumens/Watt

CCT : 5700K

CRI : >70

Beam Angle : 15°/30°/60°/90°

Modular Extruded Housing

High Quality Aluminium Die Cast

Highly Efficient SMD LED chips

IP Protection : IP66, IK08

External additional surge protection : Optional 10kV

Rated life (LM 80) : 50,000 hrs

Wattage tolerance = ±5%

While this catalogue serves as a general guide, specifications and availability may change. Please verify with **THNK** for the latest updates.

GLOWTRAIL TECHNICAL DATA



Rated input voltage : 240V AC, 50Hz

Operating input voltage : 100-300V AC, 50Hz

Operating Temperature : -10°C to +45°C

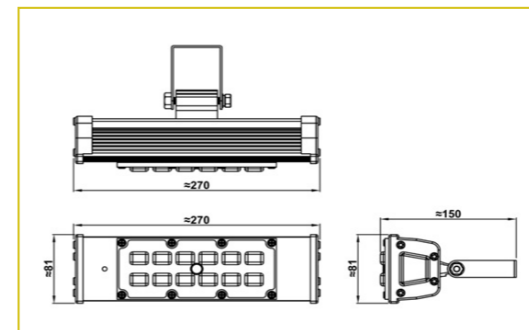
Power factor : >0.90

A-THD : <10%

Driver type : Non Dim, Isolated, Service Life 30,000 Hours at max. temperature

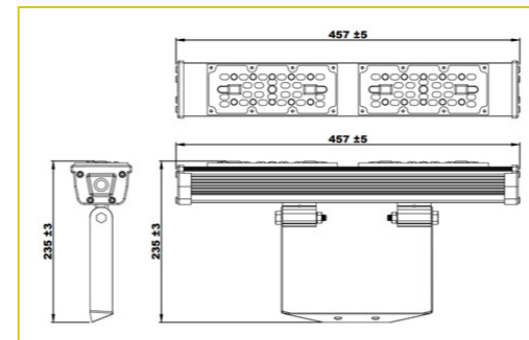
Inbuilt surge protection : CM - DM : 4kV/6kV

GLOWTRAIL 20W - 50W



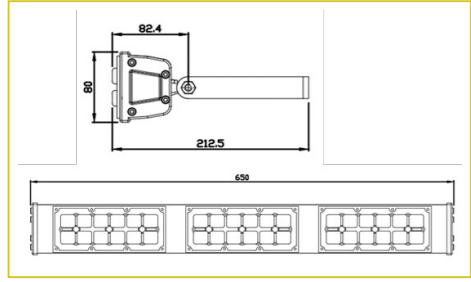
MODEL NO. & DESCRIPTION	WATTAGE	CRI	CCT	TOTAL LUMENS	SPD
TFTHL 20W GLOWTRAIL	20W	70+	5700K	2600 LUMENS	OPTIONAL : INTERNAL 10KV
TFTHL 30W GLOWTRAIL	30W	70+	5700K	3900 LUMENS	OPTIONAL : INTERNAL 10KV
TFTHL 50W GLOWTRAIL	50W	70+	5700K	6500 LUMENS	OPTIONAL : INTERNAL 10KV

GLOWTRAIL 80W - 100W



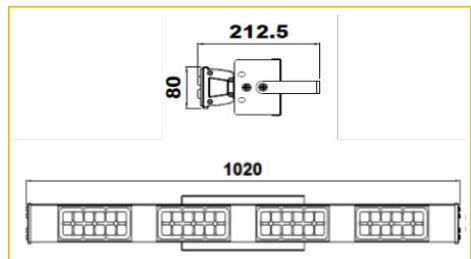
MODEL NO. & DESCRIPTION	WATTAGE	CRI	CCT	TOTAL LUMENS	SPD
TFTHL 80W GLOWTRAIL	80W	70+	5700K	10400 LUMENS	INBUILT 10KV
TFTHL 100W GLOWTRAIL	100W	70+	5700K	13000 LUMENS	INBUILT 10KV

GLOWTRAIL 120W - 150W



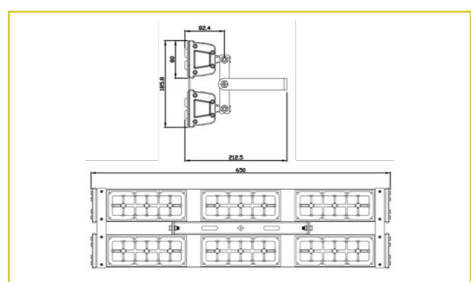
MODEL NO. & DESCRIPTION	WATTAGE	CRI	CCT	TOTAL LUMENS	SPD
TFTHL 120W GLOWTRAIL	120W	70+	5700K	15600 LUMENS	INBUILT 10KV
TFTHL 150W GLOWTRAIL	150W	70+	5700K	19500 LUMENS	INBUILT 10KV

GLOWTRAIL 180W - 200W



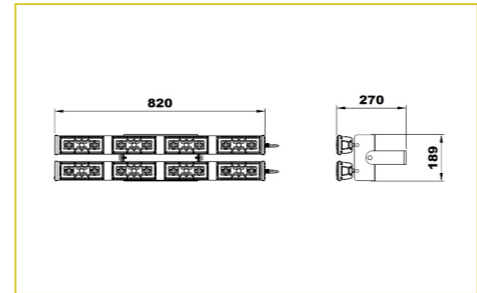
MODEL NO. & DESCRIPTION	WATTAGE	CRI	CCT	TOTAL LUMENS	SPD
TFTHL 180W GLOWTRAIL	180W	70+	5700K	23400 LUMENS	INBUILT 10KV
TFTHL 200W GLOWTRAIL	200W	70+	5700K	26000 LUMENS	INBUILT 10KV

GLOWTRAIL 250W - 300W



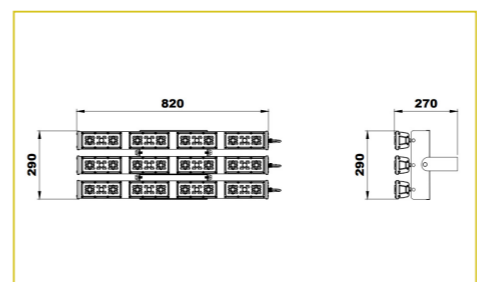
MODEL NO. & DESCRIPTION	WATTAGE	CRI	CCT	TOTAL LUMENS	SPD
TFTHL 250W GLOWTRAIL	250W	70+	5700K	32500 LUMENS	INBUILT 10KV
TFTHL 300W GLOWTRAIL	300W	70+	5700K	39000 LUMENS	INBUILT 10KV

GLOWTRAIL 350W - 400W



MODEL NO. & DESCRIPTION	WATTAGE	CRI	CCT	TOTAL LUMENS	SPD
TFTHL 350W GLOWTRAIL	350W	70+	5700K	45500 LUMENS	INBUILT 10KV
TFTHL 400W GLOWTRAIL	400W	70+	5700K	52000 LUMENS	INBUILT 10KV

GLOWTRAIL 500W - 600W



MODEL NO. & DESCRIPTION	WATTAGE	CRI	CCT	TOTAL LUMENS	SPD
TFTHL 500W GLOWTRAIL	500W	70+	5700K	65000 LUMENS	INBUILT 10KV
TFTHL 600W GLOWTRAIL	600W	70+	5700K	78000 LUMENS	INBUILT 10KV

Wattage tolerance = ±5%
While this catalogue serves as a general guide, specifications and availability may change. Please verify with **THNK** for the latest updates.

LED Streetlights



Economical Streetlight

Cost-effective design for basic roadway and street lighting

High luminaire efficacy ensures energy savings

Wide wattage range for varied street applications

Reliable IP66 and IK08 protection for outdoor durability

LED Streetlights ROADLITE



Product Features

Efficacy 100 Lumens/Watt

CCT : 5700K

CRI : >70

Beam Angle : Type II Batwing

Direct Lens Model

High Quality Aluminium Die Cast

Highly Efficient SMD LED chips

IP Protection : IP65, IK08

External additional surge protection : Optional 10kV

Rated life (LM 80) : 50,000 hrs

Wattage tolerance = ±5%

While this catalogue serves as a general guide, specifications and availability may change. Please verify with **THNK** for the latest updates.

ROADLITE TECHNICAL DATA



Rated input voltage : 240V AC, 50Hz

Operating input voltage : 100-300V AC, 50Hz

Operating Temperature : -10°C to +45°C

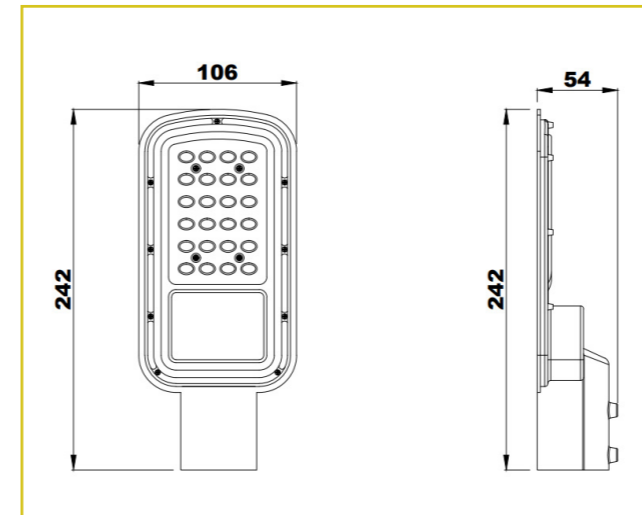
Power factor : >0.90

A-THD : <10%

Driver type : Non Dim, Isolated, Service Life 30,000 Hours at max. temperature

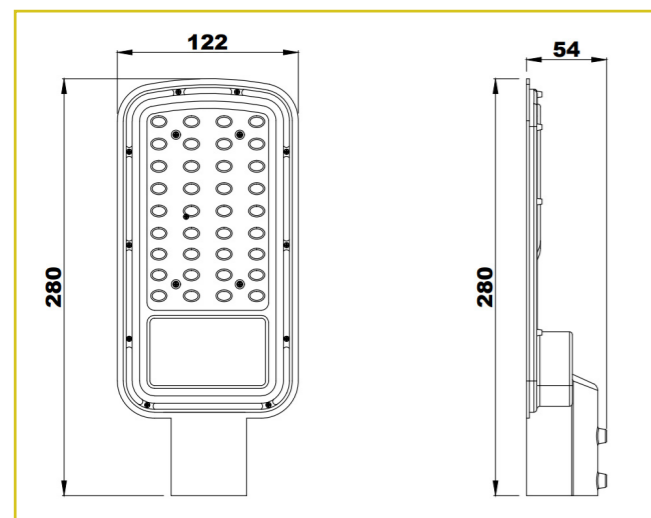
Inbuilt surge protection : CM - DM : 4kV/6kV

ROADLITE 18W - 25W



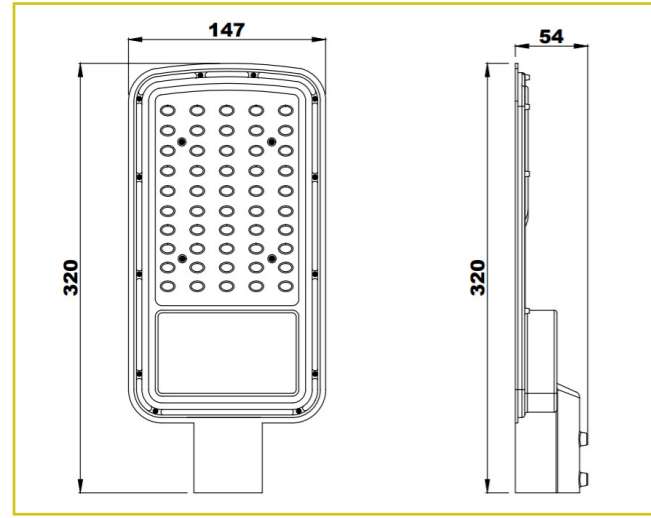
MODEL NO. & DESCRIPTION	WATTAGE	CRI	CCT	TOTAL LUMENS	SPD
TSL 18W ROADLITE	18W	70+	5700K	1800 LUMENS	OPTIONAL : EXTERNAL
TSL 20W ROADLITE	20W	70+	5700K	2000 LUMENS	OPTIONAL : EXTERNAL
TSL 25W ROADLITE	25W	70+	5700K	2500 LUMENS	OPTIONAL : EXTERNAL

ROADLITE 30W - 35W



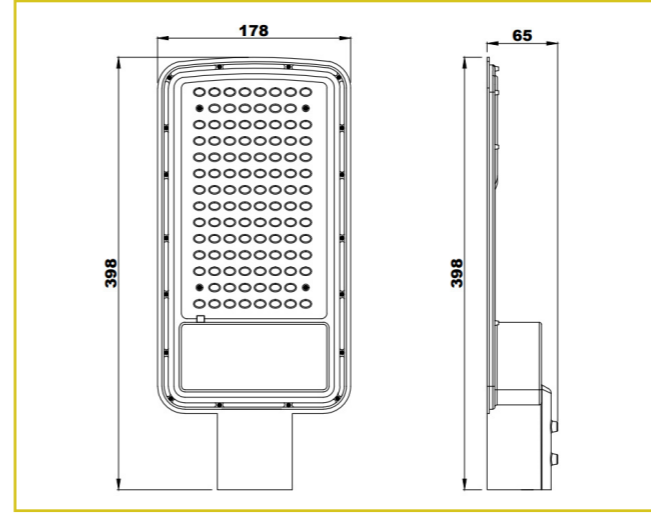
MODEL NO. & DESCRIPTION	WATTAGE	CRI	CCT	TOTAL LUMENS	SPD
TSL 30W ROADLITE	30W	70+	5700K	3000 LUMENS	OPTIONAL : EXTERNAL
TSL 35W ROADLITE	35W	70+	5700K	3500 LUMENS	OPTIONAL : EXTERNAL

ROADLITE 45W



MODEL NO. & DESCRIPTION	WATTAGE	CRI	CCT	TOTAL LUMENS	SPD
TSL 45W ROADLITE	45W	70+	5700K	4500 LUMENS	OPTIONAL : EXTERNAL

ROADLITE 60W - 100W



MODEL NO. & DESCRIPTION	WATTAGE	CRI	CCT	TOTAL LUMENS	SPD
TSL 60W ROADLITE	60W	70+	5700K	6000 LUMENS	INBUILT 10KV
TSL 75W ROADLITE	75W	70+	5700K	7500 LUMENS	INBUILT 10KV
TSL 90W ROADLITE	90W	70+	5700K	9000 LUMENS	INBUILT 10KV
TSL 100W ROADLITE	100W	70+	5700K	10000 LUMENS	INBUILT 10KV

Wattage tolerance = ±5%
While this catalogue serves as a general guide, specifications and availability may change. Please verify with **THNK** for the latest updates.

Semi-Professional Streetlight

Balanced design combining economy with professional performance

Multiple optical distributions for urban and semi-urban roads

Robust housing with IP66 and IK08 protection

Wattage range supports both secondary streets and main roads

LED Streetlights ROADRUNNER



Product Features

Efficacy 120 Lumens/Watt

CCT : 5700K

CRI : >70

Beam Angle : Type II Batwing

Direct Lens Model

High Quality Aluminium Die Cast

Highly Efficient SMD LED chips

IP Protection : IP65, IK08

External additional surge protection : Optional 10kV

Rated life (LM 80) : 50,000 hrs

Wattage tolerance = ±5%

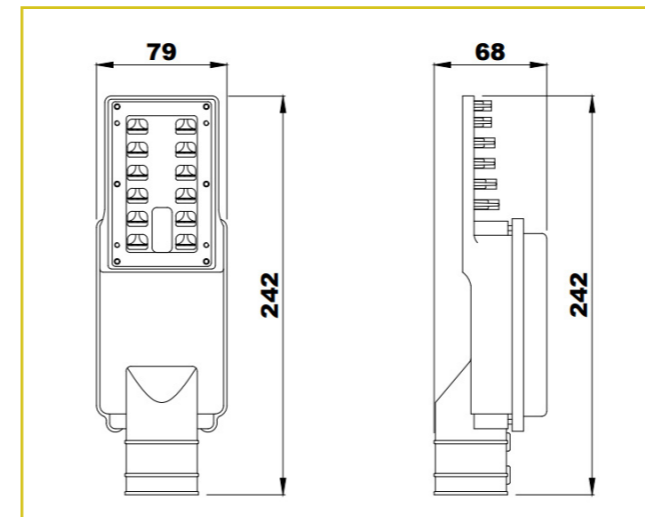
While this catalogue serves as a general guide, specifications and availability may change. Please verify with **THINK** for the latest updates.

ROADRUNNER TECHNICAL DATA



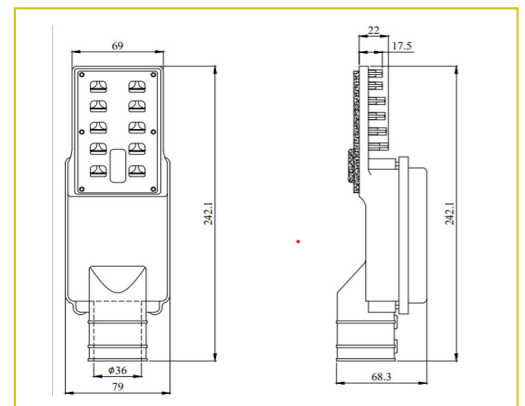
Rated input voltage : 240V AC, 50Hz
 Operating input voltage : 100-300V AC, 50Hz
 Operating Temperature : -10°C to +45°C
 Power factor : >0.90
 A-THD : <10%
 Driver type : Non Dim, Isolated, Service Life 30,000 Hours at max. temperature
 Inbuilt surge protection : CM - DM : 4kV/6kV

ROADRUNNER 18W - 30W



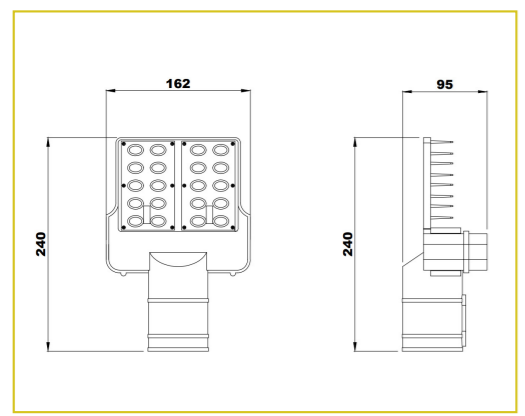
MODEL NO. & DESCRIPTION	WATTAGE	CRI	CCT	TOTAL LUMENS	SPD
TSL 18W ROADRUNNER	18W	70+	5700K	2160 LUMENS	OPTIONAL : EXTERNAL
TSL 20W ROADRUNNER	20W	70+	5700K	2400 LUMENS	OPTIONAL : EXTERNAL
TSL 25W ROADRUNNER	25W	70+	5700K	3000 LUMENS	OPTIONAL : EXTERNAL
TSL 30W ROADRUNNER	30W	70+	5700K	3600 LUMENS	OPTIONAL : EXTERNAL

ROADRUNNER 35W - 45W



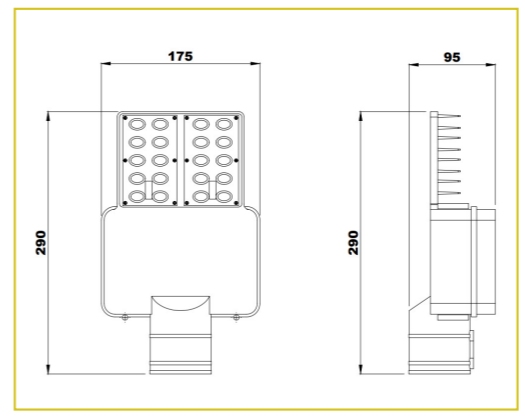
MODEL NO. & DESCRIPTION	WATTAGE	CRI	CCT	TOTAL LUMENS	SPD
TSL 35W ROADRUNNER	35W	70+	5700K	4200 LUMENS	OPTIONAL : EXTERNAL
TSL 45W ROADRUNNER	45W	70+	5700K	5400 LUMENS	OPTIONAL : EXTERNAL

ROADRUNNER 60W - 75W



MODEL NO. & DESCRIPTION	WATTAGE	CRI	CCT	TOTAL LUMENS	SPD
TSL 60W ROADRUNNER	60W	70+	5700K	4200 LUMENS	INTERNAL
TSL 75W ROADRUNNER	75W	70+	5700K	5400 LUMENS	INTERNAL

ROADRUNNER 90W - 120W



MODEL NO. & DESCRIPTION	WATTAGE	CRI	CCT	TOTAL LUMENS	SPD
TSL 90W ROADRUNNER	90W	70+	5700K	10800 LUMENS	INTERNAL
TSL 100W ROADRUNNER	100W	70+	5700K	12000 LUMENS	INTERNAL
TSL 120W ROADRUNNER	120W	70+	5700K	14400 LUMENS	INTERNAL

Wattage tolerance = ±5%
While this catalogue serves as a general guide, specifications and availability may change. Please verify with **THNK** for the latest updates.

Professional Streetlight

Premium-grade streetlight engineered for highways and city avenues

Precision optics deliver uniform illumination and glare control

High luminaire efficacy with long operational life

Rugged IP66 and IK08 construction ensures reliability in demanding conditions

LED Streetlights ROADPRO



Product Features

Efficacy 110 Lumens/Watt

CCT : 5700K

CRI : >70

Beam Angle : Type II Batwing

Lens+Glass Model

High Quality Aluminium Die Cast

Highly Efficient SMD LED chips

IP Protection : IP65, IK08

External additional surge protection : Optional 10kV

Rated life (LM 80) : 50,000 hrs

Wattage tolerance = ±5%

While this catalogue serves as a general guide, specifications and availability may change. Please verify with **THINK** for the latest updates.

ROADPRO TECHNICAL DATA



Rated input voltage : 240V AC, 50Hz

Operating input voltage : 100-300V AC, 50Hz

Operating Temperature : -10°C to +45°C

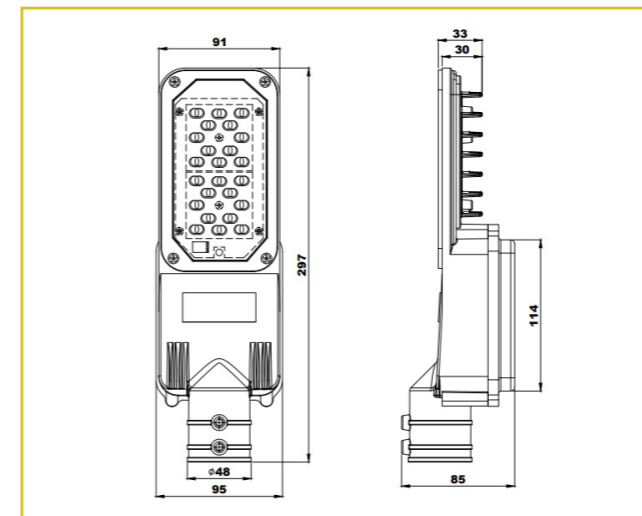
Power factor : >0.90

A-THD : <10%

Driver type : Non Dim, Isolated, Service Life 30,000 Hours at max. temperature

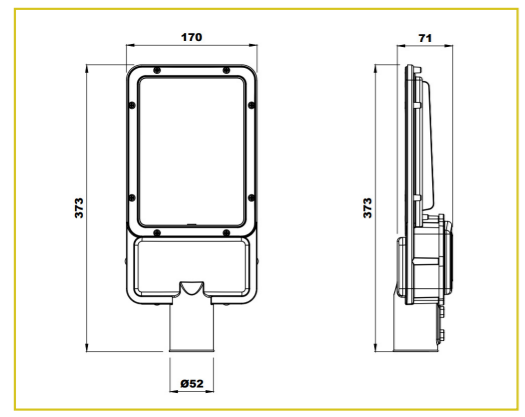
Inbuilt surge protection : CM - DM : 4kV/6kV

ROADPRO 18W - 45W



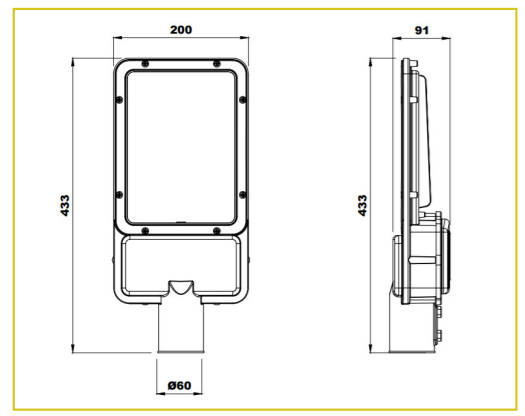
MODEL NO. & DESCRIPTION	WATTAGE	CRI	CCT	TOTAL LUMENS	SPD
TSL 18W ROADPRO	18W	70+	5700K	1980 LUMENS	OPTIONAL : EXTERNAL
TSL 20W ROADPRO	20W	70+	5700K	2200 LUMENS	OPTIONAL : EXTERNAL
TSL 25W ROADPRO	25W	70+	5700K	2750 LUMENS	OPTIONAL : EXTERNAL
TSL 30W ROADPRO	30W	70+	5700K	3300 LUMENS	OPTIONAL : EXTERNAL
TSL 35W ROADPRO	35W	70+	5700K	3850 LUMENS	OPTIONAL : EXTERNAL
TSL 45W ROADPRO	45W	70+	5700K	4950 LUMENS	OPTIONAL : EXTERNAL

ROADPRO 60W - 90W



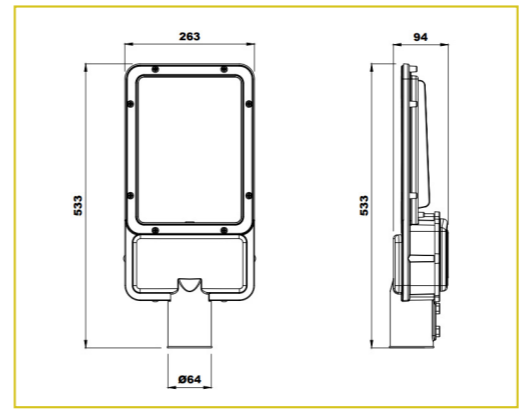
MODEL NO. & DESCRIPTION	WATTAGE	CRI	CCT	TOTAL LUMENS	SPD
TSL 60W ROADPRO	60W	70+	5700K	6600 LUMENS	INTERNAL
TSL 75W ROADPRO	75W	70+	5700K	8250 LUMENS	INTERNAL
TSL 90W ROADPRO	90W	70+	5700K	9900 LUMENS	INTERNAL

ROADPRO 100W - 150W



MODEL NO. & DESCRIPTION	WATTAGE	CRI	CCT	TOTAL LUMENS	SPD
TSL 100W ROADPRO	100W	70+	5700K	11000 LUMENS	INTERNAL
TSL 120W ROADPRO	120W	70+	5700K	13200 LUMENS	INTERNAL
TSL 150W ROADPRO	150W	70+	5700K	16500 LUMENS	INTERNAL

ROADPRO 180W - 250W



MODEL NO. & DESCRIPTION	WATTAGE	CRI	CCT	TOTAL LUMENS	SPD
TSL 180W ROADPRO	180W	70+	5700K	19800 LUMENS	INTERNAL
TSL 200W ROADPRO	200W	70+	5700K	22000 LUMENS	INTERNAL
TSL 220W ROADPRO	220W	70+	5700K	24200 LUMENS	INTERNAL
TSL 250W ROADPRO	250W	70+	5700K	27500 LUMENS	INTERNAL

Wattage tolerance = ±5%
 While this catalogue serves as a general guide, specifications and availability may change. Please verify with **THNK** for the latest updates.

LED Well Glass



General-Purpose Industrial Luminaire

One design, many uses—ideal for general-purpose industrial lighting

Flexible mounting: bracket or hook

Milky or clear diffuser options for the desired visual effect

Available in 30W to 80W range with compact, robust build for dependable daily operation

LED Well Glass POWERLITE



Product Features

Efficacy 130 Lumens/Watt

CCT : 5700K

CRI : >70

Beam Angle : 120° - Diffused

High Quality Aluminium Die Cast

Highly Efficient SMD LED chips

IP Protection : IP66, IK08

External additional surge protection : Optional 10kV

Rated life (LM 80) : 50,000 hrs

Wattage tolerance = ±5%

While this catalogue serves as a general guide, specifications and availability may change. Please verify with **THNK** for the latest updates.

POWERLITE TECHNICAL DATA



Rated input voltage : 240V AC, 50Hz

Operating input voltage : 100-300V AC, 50Hz

Operating Temperature : -10°C to +45°C

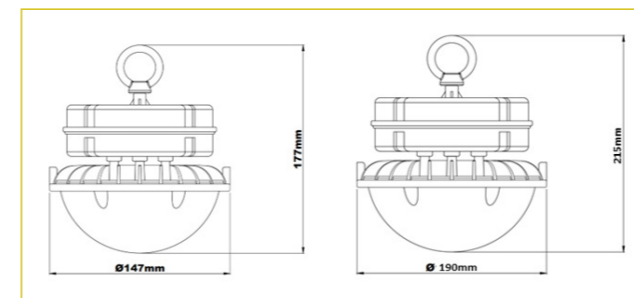
Power factor : >0.90

A-THD : <10%

Driver type : Non Dim, Isolated, Service Life 30,000 Hours at max. temperature

Inbuilt surge protection : CM - DM : 4kV/6kV

POWERLITE 20W - 80W



MODEL NO. & DESCRIPTION	WATTAGE	CRI	CCT	TOTAL LUMENS	SPD
TFTHL 20W POWERLITE	20W	70+	5700K	2600 LUMENS	OPTIONAL : EXTERNAL
TFTHL 30W POWERLITE	30W	70+	5700K	3900 LUMENS	OPTIONAL : EXTERNAL
TFTHL 50W POWERLITE	50W	70+	5700K	6500 LUMENS	OPTIONAL : EXTERNAL
TFTHL 80W POWERLITE	80W	70+	5700K	10400 LUMENS	OPTIONAL : EXTERNAL



LED Spikelights

Outdoor Spikelight

Sleek ground-mounted design ideal for landscapes, gardens, and pathways

Flexible spike installation ensures easy positioning and adjustment

Available in various wattages and beam angles for tailored illumination

Durable construction with outdoor protection for long-term reliability

LED Spikelights TERRA



Product Features

- CCT : 3000K
- CRI : >95
- Beam Angle : 24°/36°/60°
- Honeycomb Louvre Option
- High Quality Aluminium Body
- Highly Efficient COBs
- IP Protection : IP65, IK08
- External additional surge protection : Optional 10kV
- Rated life (LM 80) : 50,000 hrs

Wattage tolerance = ±5%
While this catalogue serves as a general guide, specifications and availability may change. Please verify with **THINK** for the latest updates.

TERRA TECHNICAL DATA

IP
65

BIS

Class I

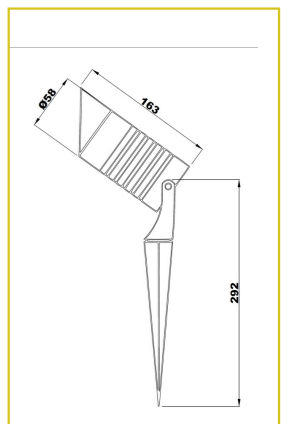
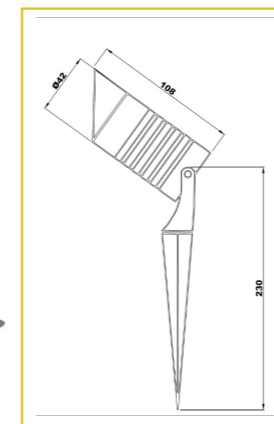
RoHS

50000
hours
Lifetime

3
YEARS
WARRANTY

Rated input voltage : 240V AC, 50Hz
 Operating input voltage : 100-300V AC, 50Hz
 Operating Temperature : -10°C to +45°C
 Power factor : >0.90
 A-THD : <10%
 Driver type : Non Dim, Isolated, Service Life 30,000 Hours at max. temperature
 Inbuilt surge protection : CM - DM : 4kV/6kV

TERRA 3W | 5W - 12W



MODEL NO. & DESCRIPTION	WATTAGE	CRI	CCT	SPD	DRIVER
TSL 3W TERRA	3W	95+	3000K	OPTIONAL : EXTERNAL	INTERNAL/EXTERNAL
TSL 5W TERRA	5W	95+	3000K	OPTIONAL : EXTERNAL	INTERNAL/EXTERNAL
TSL 7W TERRA	7W	95+	3000K	OPTIONAL : EXTERNAL	INTERNAL/EXTERNAL
TSL 12W TERRA	12W	95+	3000K	OPTIONAL : EXTERNAL	INTERNAL/EXTERNAL



LED Bollards

Outdoor Pathway Lighting

Elegant design ideal for pathways, gardens, and landscape applications

Provides uniform illumination to enhance safety and ambience

Available in various heights, wattages, and finishes to suit design needs

Durable IP-rated construction for reliable outdoor performance

LED Bollards DOME



Product Features

CCT : 3000K

CRI : >95

Beam Angle : Diffused

High Quality Aluminium Die Cast

Highly Efficient SMD LED chips

IP Protection : IP65, IK08

Surge Protection : 10kV

Rated life (LM 80) : 50,000 hrs

Wattage tolerance = ±5%

While this catalogue serves as a general guide, specifications and availability may change. Please verify with **THNK** for the latest updates.

DOME TECHNICAL DATA



Rated input voltage : 240V AC, 50Hz

Operating input voltage : 100-300V AC, 50Hz

Operating Temperature : -10°C to +45°C

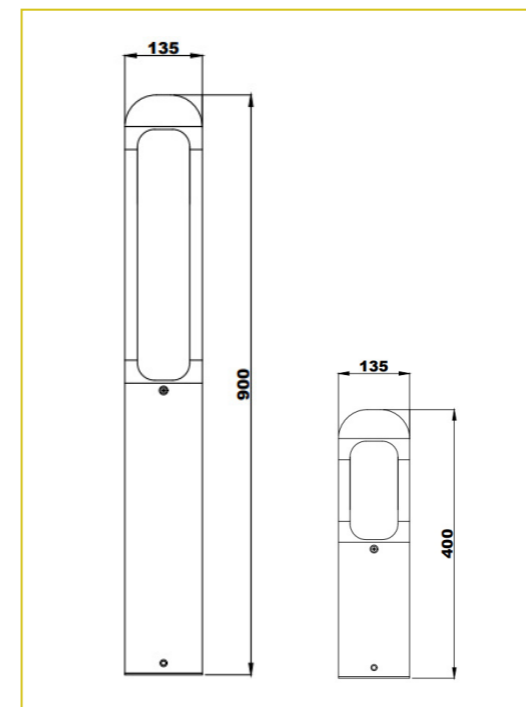
Power factor : >0.90

A-THD : <10%

Driver type : Non Dim, Isolated, Service Life 30,000 Hours at max. temperature

Inbuilt surge protection : CM - DM : 4kV

DOME 5W - 12W



MODEL NO. & DESCRIPTION	WATTAGE	CRI	CCT	SPD	DRIVER
TSL 5W DOME	5W	95+	3000K	10KV INTERNAL	INTERNAL
TSL 7W DOME	7W	95+	3000K	10KV INTERNAL	INTERNAL
TSL 12W DOME	12W	95+	3000K	10KV INTERNAL	INTERNAL



Outdoor Pathway Lighting

Elegant design ideal for pathways, gardens, and landscape applications

Provides uniform illumination to enhance safety and ambience

Available in various heights, wattages, and finishes to suit design needs

Durable IP-rated construction for reliable outdoor performance

LED Bollards MUSHROOM



Product Features

CCT : 3000K

CRI : >95

Beam Angle : Diffused

High Quality Aluminium Die Cast

Highly Efficient SMD LED chips

IP Protection : IP65, IK08

Surge Protection : 10kV

Rated life (LM 80) : 50,000 hrs

Wattage tolerance = ±5%

While this catalogue serves as a general guide, specifications and availability may change. Please verify with **THINK** for the latest updates.

MUSHROOM TECHNICAL DATA



Rated input voltage : 240V AC, 50Hz

Operating input voltage : 100-300V AC, 50Hz

Operating Temperature : -10°C to +45°C

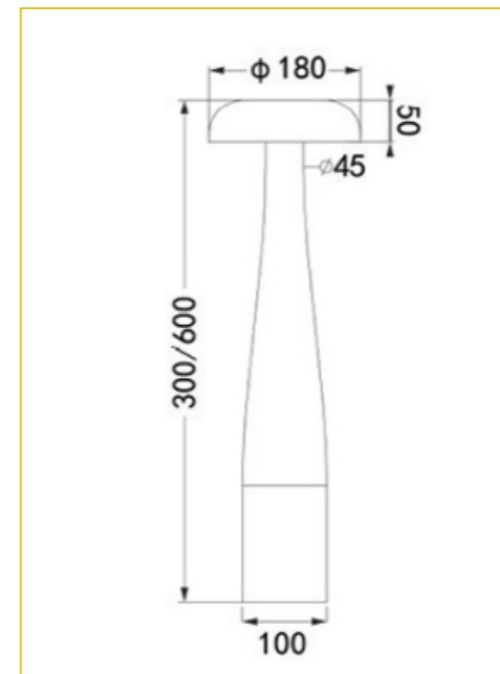
Power factor : >0.90

A-THD : <10%

Driver type : Non Dim, Isolated, Service Life 30,000 Hours at max. temperature

Inbuilt surge protection : CM - DM : 4kV

MUSHROOM 5W - 12W



MODEL NO. & DESCRIPTION	WATTAGE	CRI	CCT	SPD	DRIVER
TSL 5W MUSHROOM	5W	95+	3000K	10KV INTERNAL	INTERNAL
TSL 7W MUSHROOM	7W	95+	3000K	10KV INTERNAL	INTERNAL
TSL 12W MUSHROOM	12W	95+	3000K	10KV INTERNAL	INTERNAL

Outdoor Pathway Lighting

Elegant design ideal for pathways, gardens, and landscape applications

Provides uniform illumination to enhance safety and ambience

Available in various heights, wattages, and finishes to suit design needs

Durable IP-rated construction for reliable outdoor performance

LED Bollards PRESTINE



Product Features

CCT : 3000K

CRI : >95

Beam Angle : Diffused

High Quality Iron Housing

Highly Efficient SMD LED chips

IP Protection : IP65, IK08

Surge Protection : 10kV

Rated life (LM 80) : 50,000 hrs

Wattage tolerance = ±5%

While this catalogue serves as a general guide, specifications and availability may change. Please verify with **THINK** for the latest updates.

PRESTINE TECHNICAL DATA



Rated input voltage : 240V AC, 50Hz

Operating input voltage : 100-300V AC, 50Hz

Operating Temperature : -10°C to +45°C

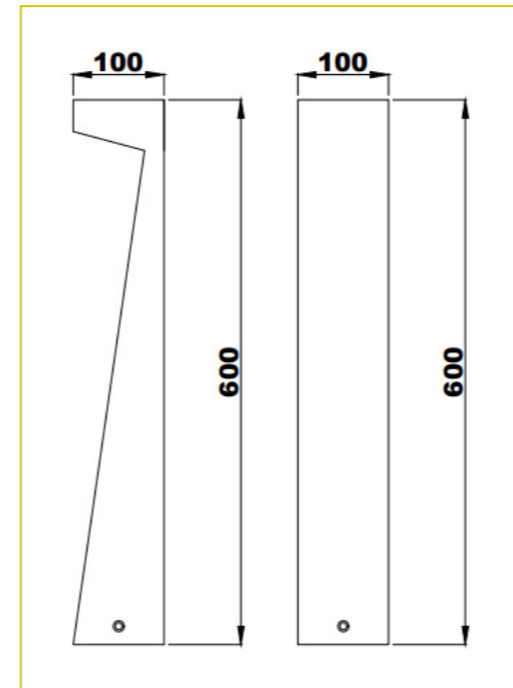
Power factor : >0.90

A-THD : <10%

Driver type : Non Dim, Isolated, Service Life 30,000 Hours at max. temperature

Inbuilt surge protection : CM - DM : 4kV

PRESTINE 5W - 12W



MODEL NO. & DESCRIPTION	WATTAGE	CRI	CCT	SPD	DRIVER
TSL 5W PRESTINE	5W	95+	3000K	10KV INTERNAL	INTERNAL
TSL 7W PRESTINE	7W	95+	3000K	10KV INTERNAL	INTERNAL
TSL 12W PRESTINE	12W	95+	3000K	10KV INTERNAL	INTERNAL



LED Wall Lights



Soft, indirect illumination that creates a gentle halo glow on the wall
 Round, minimalist design that enhances modern and architectural interiors
 Provides smooth ambient lighting without glare or visible hotspots
 Ideal for creating warm, atmospheric effects in living, hospitality, and corridor spaces

LED Wall Lights AURA



Product Features

CCT : 3000K
 CRI : >90
 Beam angle : 360°
 Body colour : Black
 Material : Aluminium Die Casting
 Mounting : Wall-Mounted
 IP Protection : IP65
 External additional surge protection : Optional 10kV
 Rated life (LM 80) : 50,000 hrs

Wattage tolerance = ±5%
 While this catalogue serves as a general guide, specifications and availability may change. Please verify with **THINK** for the latest updates.

AURA TECHNICAL DATA



Rated input voltage : 240V AC, 50Hz
 Operating input voltage : 100-300V AC, 50Hz
 Operating Temperature : -10°C to +45°C
 Power factor : >0.90
 A-THD : <10%
 Driver type : Non Dim, Isolated, Service Life 30,000 Hours at max. temperature
 Inbuilt surge protection : CM - DM : 4kV

AURA 12W-18W



MODEL NO. & DESCRIPTION	WATTAGE	DIAMETER	CRI	CCT	SPD	DRIVER
TSL 12W AURA	12W	180MM	90	3000K	OPTIONAL - EXTERNAL	INTERNAL
TSL 18W AURA	18W	180MM	90	3000K	OPTIONAL - EXTERNAL	INTERNAL

Soft, indirect illumination that creates a gentle halo glow on the wall
 Round, minimalist design that enhances modern and architectural interiors
 Provides smooth ambient lighting without glare or visible hotspots
 Ideal for creating warm, atmospheric effects in living, hospitality, and corridor spaces

LED Wall Lights VERSA



Product Features

CCT : 3000K
 CRI : >90
 Beam angle : 38°
 Body colour : Black
 Material : Aluminium Die Casting
 Mounting : Wall-Mounted
 IP Protection : IP65
 External additional surge protection : Optional 10kV
 Rated life (LM 80) : 50,000 hrs

Wattage tolerance = ±5%
 While this catalogue serves as a general guide, specifications and availability may change. Please verify with **THINK** for the latest updates.

VERSA TECHNICAL DATA



Rated input voltage : 240V AC, 50Hz
 Operating input voltage : 100-300V AC, 50Hz
 Operating Temperature : -10°C to +45°C
 Power factor : >0.90
 A-THD : <10%
 Driver type : Non Dim, Isolated, Service Life 30,000 Hours at max. temperature
 Inbuilt surge protection : CM - DM : 4kV

VERSA 12W



MODEL NO. & DESCRIPTION	WATTAGE	LENGTH x WIDTH	CRI	CCT	SPD	DRIVER
TSL 12W VERSA	6Wx2	192x80MM	90	3000K	OPTIONAL - EXTERNAL	INTERNAL

Multi-faceted architectural form that adds subtle depth to any wall surface
 Uniform upward and downward beam for balanced visual impact
 Clean, minimal design offering a simple yet effective lighting solution
 Ideal for pathways, façades and modern interiors needing functional elegance

LED Wall Lights PRISM



Product Features

CCT : 3000K
 CRI : >90
 Beam angle : 38°
 Body colour : Black
 Material : Aluminium Die Casting & Mild Steel
 Mounting : Wall-Mounted
 IP Protection : IP65
 External additional surge protection : Optional 10kV
 Rated life (LM 80) : 50,000 hrs

Wattage tolerance = ±5%
 While this catalogue serves as a general guide, specifications and availability may change. Please verify with **THINK** for the latest updates.

PRISM TECHNICAL DATA



Rated input voltage : 240V AC, 50Hz
 Operating input voltage : 100-300V AC, 50Hz
 Operating Temperature : -10°C to +45°C
 Power factor : >0.90
 A-THD : <10%
 Driver type : Non Dim, Isolated, Service Life 30,000 Hours at max. temperature
 Inbuilt surge protection : CM - DM : 4kV

PRISM 12W



MODEL NO. & DESCRIPTION	WATTAGE	LENGTH x WIDTH	CRI	CCT	SPD	DRIVER
TSL 12W PRISM	6Wx2	160x80MM	90	3000K	OPTIONAL - EXTERNAL	INTERNAL

Universal design delivering clean, functional up-down illumination
 Versatile and minimal—ideal for terraces, walkways, and everyday architectural lighting
 Provides balanced light distribution with a simple, modern aesthetic
 A reliable, no-frills solution for practical outdoor and semi-outdoor spaces

LED Wall Lights DUO SQ



Product Features

CCT : 3000K
 CRI : >90
 Beam angle : 38°
 Body colour : Black
 Material : Aluminium Die Casting & Mild Steel
 Mounting : Wall-Mounted
 IP Protection : IP65
 External additional surge protection : Optional 10kV
 Rated life (LM 80) : 50,000 hrs

Wattage tolerance = ±5%
 While this catalogue serves as a general guide, specifications and availability may change. Please verify with **THINK** for the latest updates.

DUO SQ TECHNICAL DATA



Rated input voltage : 240V AC, 50Hz
 Operating input voltage : 100-300V AC, 50Hz
 Operating Temperature : -10°C to +45°C
 Power factor : >0.90
 A-THD : <10%
 Driver type : Non Dim, Isolated, Service Life 30,000 Hours at max. temperature
 Inbuilt surge protection : CM - DM : 4kV

DUO SQ 12W



MODEL NO. & DESCRIPTION	WATTAGE	LENGTH x WIDTH	CRI	CCT	SPD	DRIVER
TSL 12W DUO SQ	6Wx2	200x100MM	90	3000K	OPTIONAL - EXTERNAL	INTERNAL

A clean, compact cylindrical wall light designed for single-direction illumination
 Can be installed as either an uplight or a downlight, offering flexible application
 Minimal, modern form factor suited for terraces, corridors, and functional outdoor areas
 Delivers reliable, efficient lighting in a simple, no-frills design

LED Wall Lights SOLO



Product Features

CCT : 3000K
 CRI : >90
 Beam angle : 38°
 Body colour : Black/Brown
 Material : Aluminium Die Casting
 Mounting : Wall-Mounted
 IP Protection : IP65
 External additional surge protection : Optional 10kV
 Rated life (LM 80) : 50,000 hrs

Wattage tolerance = ±5%
 While this catalogue serves as a general guide, specifications and availability may change. Please verify with **THINK** for the latest updates.

SOLO TECHNICAL DATA



Rated input voltage : 240V AC, 50Hz
 Operating input voltage : 100-300V AC, 50Hz
 Operating Temperature : -10°C to +45°C
 Power factor : >0.90
 A-THD : <10%
 Driver type : Non Dim, Isolated, Service Life 30,000 Hours at max. temperature
 Inbuilt surge protection : CM - DM : 4kV

SOLO 7W - 12W



MODEL NO. & DESCRIPTION	WATTAGE	LENGTH x WIDTH	CRI	CCT	SPD	DRIVER
TSL 7W SOLO	7W	152x75 MM	90	3000K	OPTIONAL - EXTERNAL	INTERNAL
TSL 12W SOLO	12W	152x75 MM	90	3000K	OPTIONAL - EXTERNAL	INTERNAL

A decorative ambient wall light

Soft white light diffused through an egg-shaped frosted glass for a warm, gentle glow.

Creates a calm, ambient atmosphere with comfortable, glare-free illumination.

Ideal for bedrooms, living spaces, corridors, and hospitality interiors.

LED Wall Lights PEARL



Product Features

CCT : 2700K/3000K/3500K/4000K/5000K/6500K

CRI : >80/>90/>95

Beam angle : Diffused

Body colour : White/Custom

Material : Aluminium Die Casting Housing and Glass Diffuser

Mounting : Wall-Mounted

IP Protection : IP20

Additional surge protection : Optional 10kV

Rated life (LM 80) : 50,000 hrs

Wattage tolerance = ±5%

While this catalogue serves as a general guide, specifications and availability may change. Please verify with **THINK** for the latest updates.

PEARL TECHNICAL DATA



Rated input voltage : 240V AC, 50Hz

Operating input voltage : 100-300V AC, 50Hz

Operating Temperature : -10°C to +45°C

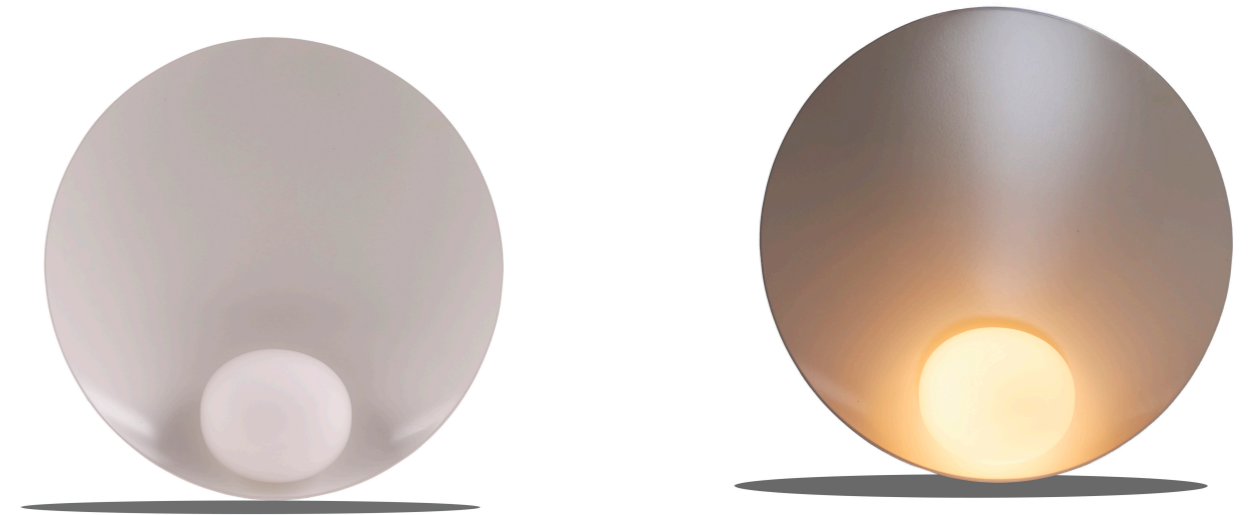
Power factor : >0.90

A-THD : <10%

Driver type : Non Dim, Isolated, Service Life 30,000 Hours at max. temperature

Inbuilt surge protection : CM - DM : 2kV

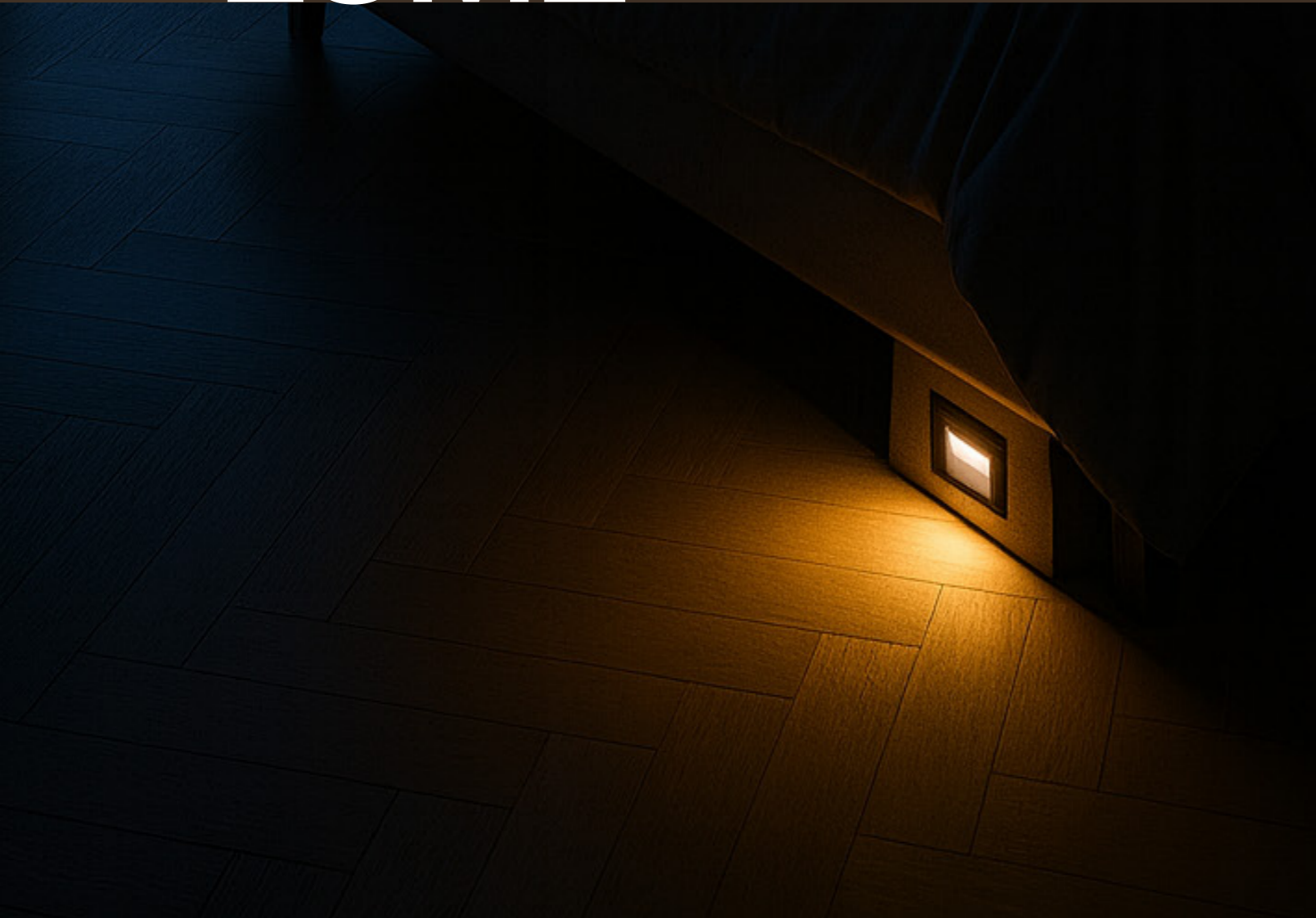
PEARL 3W - 6W



MODEL NO. & DESCRIPTION	WATTAGE	DIAMETER x WIDTH	CRI	CCT	TOTAL LUMENS	DRIVER
TSDLCL 3W PEARL	3W	260x110 MM	90	3000K	210 - 300 LUMENS	INTERNAL
TSDLCL 6W PEARL	6W	260x110 MM	90	3000K	420 - 600 LUMENS	INTERNAL

Premium anodised finish delivering a refined, elegant appearance
 Soft downward illumination that gently lights pathways and floor-level zones
 Ideal as a subtle night light for bedrooms, hotel rooms, and quiet environments
 Combines safety, comfort, and aesthetics in one minimal, high-quality design

LED Wall Lights LUME



Product Features

CCT : 3000K
 CRI : >90
 Beam angle : Asymmetric downward distribution
 Body colour : Anodized
 Material : Aluminium Die Casting
 Mounting : Wall-Mounted - Recess
 IP Protection : IP65
 External additional surge protection : Optional 10kV
 Rated life (LM 80) : 50,000 hrs

Wattage tolerance = ±5%
 While this catalogue serves as a general guide, specifications and availability may change. Please verify with **THINK** for the latest updates.

LUME TECHNICAL DATA



Rated input voltage : 240V AC, 50Hz
 Operating input voltage : 100-300V AC, 50Hz
 Operating Temperature : -10°C to +45°C
 Power factor : >0.90
 A-THD : <10%
 Driver type : Non Dim, Isolated, Service Life 30,000 Hours at max. temperature
 Inbuilt surge protection : CM - DM : 4kV

LUME 3W



MODEL NO. & DESCRIPTION	WATTAGE	LENGTH x WIDTH	CRI	CCT	SPD	DRIVER
TSL 3W LUME	3W	90x80MM	90	3000K	OPTIONAL - EXTERNAL	INTERNAL

LED Neon Strips



Flexible Neon Lighting System

Seamless. dot free illumination for clean continuous light lines

Flexible design adapts easily to curves, edges and architectural contours

Available in multiple colour temperatures and RGB options

Durable IP-rated construction ensures reliable indoor and outdoor performance

LED Neon Strips NEOLINE



Product Features

CCT : Eight Options from 2100K - 6150K, Red, Blue, Green, Yellow, Pink

CRI : >90

Wattage : Option of 5 Watts per metre to 20 watts per metre

Material :High Quality Silicon Material Cuttable every 50mm/62.5mm

Bending : Option of Top Bend, Side Bend and Dual Bend

Option of Round tube with 360 degree light emitting surface

Rated life (LM 80) : 50,000 hrs

One Roll of 5 metres with single side power connection

IP Protection : IP67, IK08

Surge Protection : 10kV Optional

Cable Entry : Option of top entry, side entry, bottom entry

Wattage tolerance = ±5%

While this catalogue serves as a general guide, specifications and availability may change. Please verify with **THINK** for the latest updates.

NEOLINE TECHNICAL DATA



Rated input voltage : 240V AC, 50Hz . Output : DC 24 Volts

Operating input voltage : 100-300V AC, 50Hz

Operating Temperature : -10°C to +45°C

Power factor : >0.90

A-THD : <10%

Driver type : Non Dim, Isolated, Service Life 30,000 Hours at max. temperature

Inbuilt surge protection : CM - DM : 4kV

NEOLINE 5W - 20W PER METRE



MODEL NO. & DESCRIPTION	WATTAGE	CRI	BEND	MINIMUM BEND DIAMETER	MAX. LENGTH WITH SINGLE POWER SUPPLY
NS-3D1615 NEOLINE	5W/10W PER METRE	90+	3D	200MM	5 METRES
NS-S0408 NEOLINE	6W PER METRE	90+	SIDE	200MM	5 METRES
NS-S0612 NEOLINE	5W/10W PER METRE	90+	SIDE	300MM	5 METRES
NS-S0817 NEOLINE	5W/10W PER METRE	90+	SIDE	300MM	5 METRES
NS-S1010 NEOLINE	5W/10W PER METRE	90+	SIDE	100MM	5 METRES
NS-S1018 NEOLINE	5W/10W/15W PER METRE	90+	SIDE	300MM	5 METRES
NS-S1023 NEOLINE	5W/10W/15W PER METRE	90+	SIDE	300MM	5 METRES
NS-S1220 NEOLINE	5W/10W/15W PER METRE	90+	SIDE	200MM	5 METRES
NS-S1225 NEOLINE	5W/10W/15W PER METRE	90+	SIDE	300MM	5 METRES
NS-S1615 NEOLINE	5W/10W/15W PER METRE	90+	SIDE	200MM	5 METRES
NS-S2020 NEOLINE	5W/10W/15W PER METRE	90+	SIDE	200MM	5 METRES
NS-T1010 NEOLINE	5W/10W PER METRE	90+	TOP	100MM	5 METRES
NS-T1212 NEOLINE	5W/10W PER METRE	90+	TOP	150MM	5 METRES
NS-T1615 NEOLINE	5W/10W/15W PER METRE	90+	TOP	200MM	5 METRES
NS-T2016 NEOLINE	5W/10W PER METRE	90+	TOP	200MM	5 METRES
NS-T3020 NEOLINE	10W/20W PER METRE	90+	TOP	300MM	5 METRES
NS-TD25 NEOLINE	5W/10W/16W PER METRE	90+	360°	200MM	5 METRES

The Evolution & Language of LIGHT

History of Light

Fire and Oil Lamps (Prehistoric – 18th century): For thousands of years, open flames, torches, and oil lamps were our only defense against darkness. Simple, warm, but limited.

Gas Lamps (1790s): William Murdoch pioneered gas lamps in the late 18th century. By the 19th century, cities glowed with gaslight—brighter than fire, but hazardous and polluting.

Incandescent Bulb (1879): Thomas Edison and Joseph Swan perfected the carbon-filament lamp, bringing safe, practical electric light to homes and streets. This moment changed human life forever.

Mercury Vapour Lamp (1901): Peter Cooper Hewitt invented the mercury-vapour lamp, producing bluish-white light. It was widely used for streets and industry but had poor color rendering.

Sodium Vapour Lamp (Low-Pressure, 1930s): Developed by Philips, these lamps emitted a monochromatic yellow glow. Extremely efficient, they became the standard for street lighting for decades—though colors were nearly impossible to distinguish.

High-Pressure Sodium (1959): General Electric introduced HPS lamps, combining efficiency with slightly better color rendering. They lit highways, cities, and stadiums worldwide.

Metal Halide Lamp (1960s): A refinement of mercury lamps, metal halide offered bright white light with improved color quality. Popular in stadiums, retail, and floodlighting.

Induction Lamps (1967): Nikola Tesla had experimented with wireless fluorescent lamps in the 1890s, but induction lighting was commercialized later. These lamps used electromagnetic fields instead of electrodes, offering long lifespans for street and industrial use.

Fluorescent Tubes (1934): Edmund Germer and GE developed fluorescent lamps, providing efficient, diffuse lighting for offices, schools, and factories. Compact Fluorescents (CFLs) followed in the 1980s for homes.

LEDs (1962 → today): Nick Holonyak invented the first visible-spectrum LED (red) in 1962. Blue LEDs arrived in the 1990s thanks to Shuji Nakamura, enabling white LEDs. By the early 2000s, LEDs became the dominant technology: efficient, controllable, long-lasting, and endlessly versatile. Today, LEDs are not just light sources—they are tools of design, science, and human wellbeing.

Understanding Modern Lighting

When we talk about lighting today, a few terms come up often:

Wattage (W): The amount of electrical power a light source consumes. In older technologies, higher wattage usually meant more brightness. With LEDs, however, brightness depends more on efficiency than raw wattage.

Lumens (lm): The total amount of visible light a source emits. More lumens = brighter light.

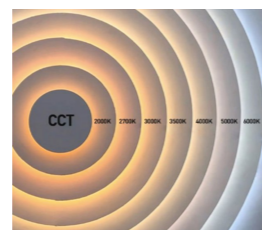
Lumens per Watt (lm/W): A measure of how efficiently a lamp converts electricity into light. LEDs often exceed 150 lm/W, compared to incandescent bulbs at only ~15 lm/W.

Lux (lx): The amount of light falling on a surface. 1 lux = 1 lumen per square meter. Lux is what determines how bright a room or area actually feels.

- Living rooms and homes: ~150–300 lux
- Offices: ~300–500 lux
- Warehouses: ~200–300 lux
- Industrial task lighting (precision work, assembly, inspection): ~750–1000 lux
- Supermarkets/retail: ~500–1000 lux
- Stadiums: 1000 lux and above
- Street lighting: ~5–20 lux, depending on road type and safety requirements

Think of it this way: Wattage is the energy you put in, Lumens are the light you get out, Lumens per Watt is how efficiently that trade-off works, and Lux is how much of that light actually reaches and brightens the space you're in.

CCT (Correlated Color Temperature): Describes the “warmth” or “coolness” of white light, measured in Kelvin (K).



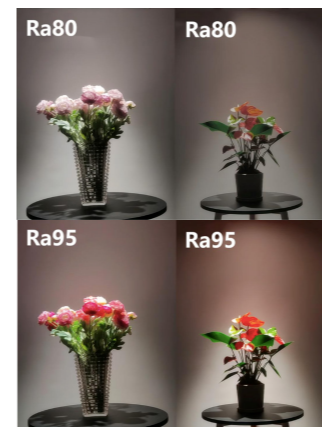
- 2700K: Warm, cozy light—ideal for homes, restaurants, hospitality.
- 3000K: Warm white—comfortable for homes, hotels, retail.
- 4000K: Neutral white—balanced and functional, ideal for offices, classrooms, hospitals.
- 5000K: Cool white—used in industrial, commercial, and task-heavy environments.
- 5700K: Daylight-like—used in stadiums, outdoor, and high-precision workspaces.

CRI (Color Rendering Index): A measure of how faithfully a light source reveals true colors compared to natural light.

- The sun has a CRI of 100 — our perfect benchmark.
- Tungsten lamps also reach ~95–100.
- CRI 80: Sufficient for warehouses, streets, and general outdoor lighting.
- CRI 90: Recommended for retail, offices, and residential spaces.
- CRI 95+: Essential for galleries, hospitals, high-end retail, and design-focused applications.

Within CRI, the R9 value (deep reds) is especially critical. Many lights achieve a decent CRI but fail on R9, which makes skin tones, fabrics, art, and fresh food look dull and lifeless. For human-centric and design-driven spaces, a strong R9 (typically 50 and above) is non-negotiable to ensure natural, vibrant color reproduction.

R9 Guidance by Application:



- **Retail & supermarkets:** R9 > 50 (to make fresh food, fabrics, and displays look appealing).
- **Medical & healthcare:** R9 > 90 (for accurate skin tones and diagnostic precision).
- **Offices & education:** R9 > 20 (for comfortable, natural human appearance).
- **Residential & hospitality:** R9 > 90 (for warm, inviting skin tones and interior colors).
- **Museums & galleries:** R9 > 90 (to reveal the true depth of reds and subtleties in artwork).

UGR (Unified Glare Rating): Measures visual comfort. Lower UGR = less glare.

- UGR <19: Offices, classrooms
- UGR <22: General indoor spaces
- UGR <25: Industrial / outdoor

Lower UGR = more visual comfort.

Beam Angles and Design

Light is not only about brightness—it is also about direction and focus.

- **Narrow beams (10°–20°):** Highlight art, architectural details, displays.
- **Medium beams (25°–40°):** The versatile choice for general lighting.
- **Wide beams (60°+):** Spread uniform light across offices, warehouses, outdoor areas.
- **Asymmetric beams:** Used in streetlights, floodlights, and façades to direct light without glare or spill.

Today, designers don't rely on guesswork. With tools like DIALux and Relux, we can simulate exactly how lighting will look and perform—before anything is built.

Why it matters? - Light is no longer just about visibility. It is about experience, safety, efficiency, and wellbeing. From beam angles to CRI, from dimming to durability—every choice shapes how we feel, work, and connect in a space.

Connect with us to help us create environments that truly shine.

@USA +1(310)9918494, bhwald@hotmail.com @Other Regions +917738063591, support@thnklights.com

This is possible thanks to IES or LDT files, digital fingerprints that describe a luminaire's beam angle, intensity, and distribution. The result? Lighting design that is predictable, precise, and human-centric.

Light Control

Dimming Technologies:

- **Triac dimming:** One of the oldest dimming methods. It works by chopping the AC waveform, reducing the amount of power delivered. Still common in residential retrofits but less precise and not always LED-friendly.
- **Analog 1–10V dimming:** Simple and reliable, where a low-voltage signal (1–10V) adjusts brightness. Widely used in commercial and industrial projects.
- **DALI (Digital Addressable Lighting Interface):** An intelligent, bi-directional protocol that enables precise dimming, scene setting, and complex automation across large networks of luminaires.

Advanced Colour Experiences

Dim to Warm (3000K–1800K): Mimics the glow of candlelight as you dim down. Perfect for restaurants, lounges, and homes where ambiance and mood matter.

Tunable White (2700K–5700K): Lets you shift colour temperature dynamically—warm for relaxation, cool for focus. Ideal for offices, schools, and healthcare, where circadian-friendly or activity-based lighting is essential.

LED Drivers: The Heart of Every LED Luminaire

LEDs cannot be connected directly to mains—they need a driver to regulate the current and voltage, ensuring stable performance and long life.

- **Constant Current Drivers:** Deliver a steady current to LEDs. Most common for recessed, downlights, and spotlights.
- **Constant Voltage Drivers:** Provide a fixed voltage. Mainly used for LED strips, modular luminaires, and decorative applications.
- **Isolated Drivers:** Electrically separate input and output for safety. Ideal for industrial, commercial, or outdoor fixtures where safety standards are strict.
- **Non-Isolated Drivers:** Input and output share a connection; cheaper and more compact, typically used in low-risk indoor fixtures.
- **SELV (Safety Extra Low Voltage):** Ensures the voltage is low enough to prevent electric shock. Widely used for outdoor lighting, wet areas and applications where user safety is critical.

Outdoor Lighting & Protection

- **SPD (Surge Protection Device):** Protects luminaires and drivers from voltage spikes and surges, ensuring longevity and safety.
- **IP Ratings (Ingress Protection):** Measures resistance to dust and water. For example:
IP65/66: Dust tight and protected against water jets—ideal for outdoor and wet areas.
IP67: Dust tight and can handle temporary submersion in water.
- **IK Ratings (Impact Protection):** Measures resistance to mechanical impact. For example:
IK08: High impact resistance, suitable for semi-public spaces.
IK10: Vandal-proof strength, ideal for public areas.